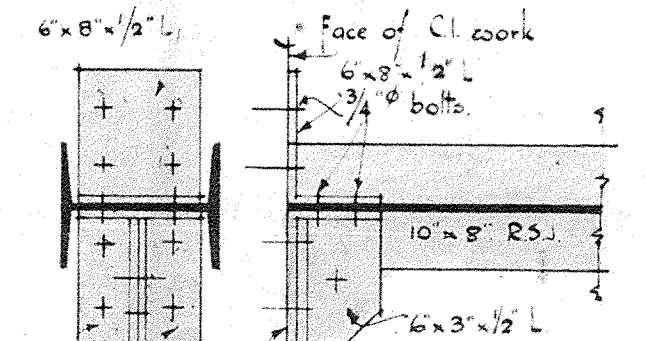
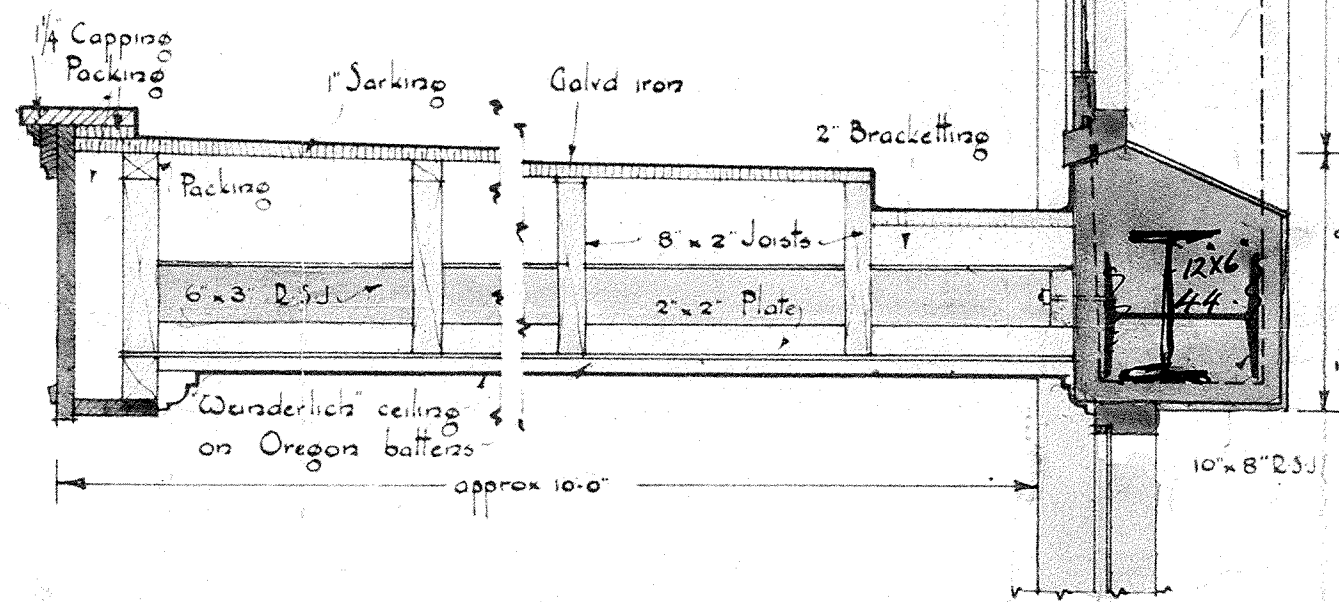
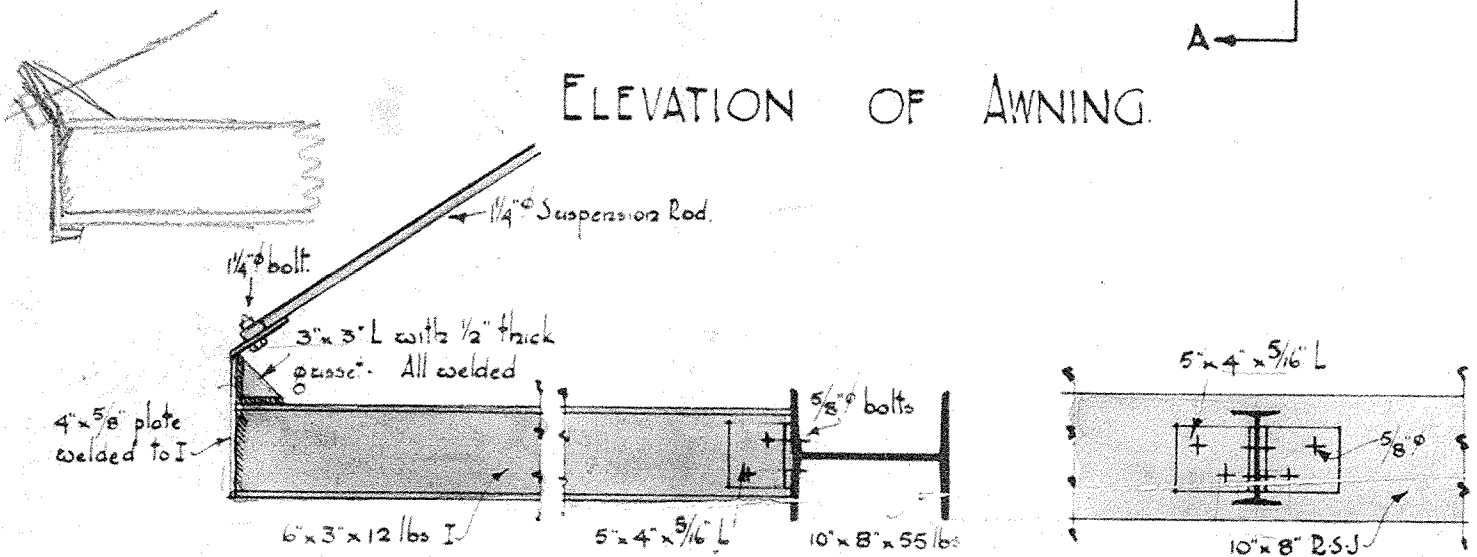


ELEVATION OF AWNING

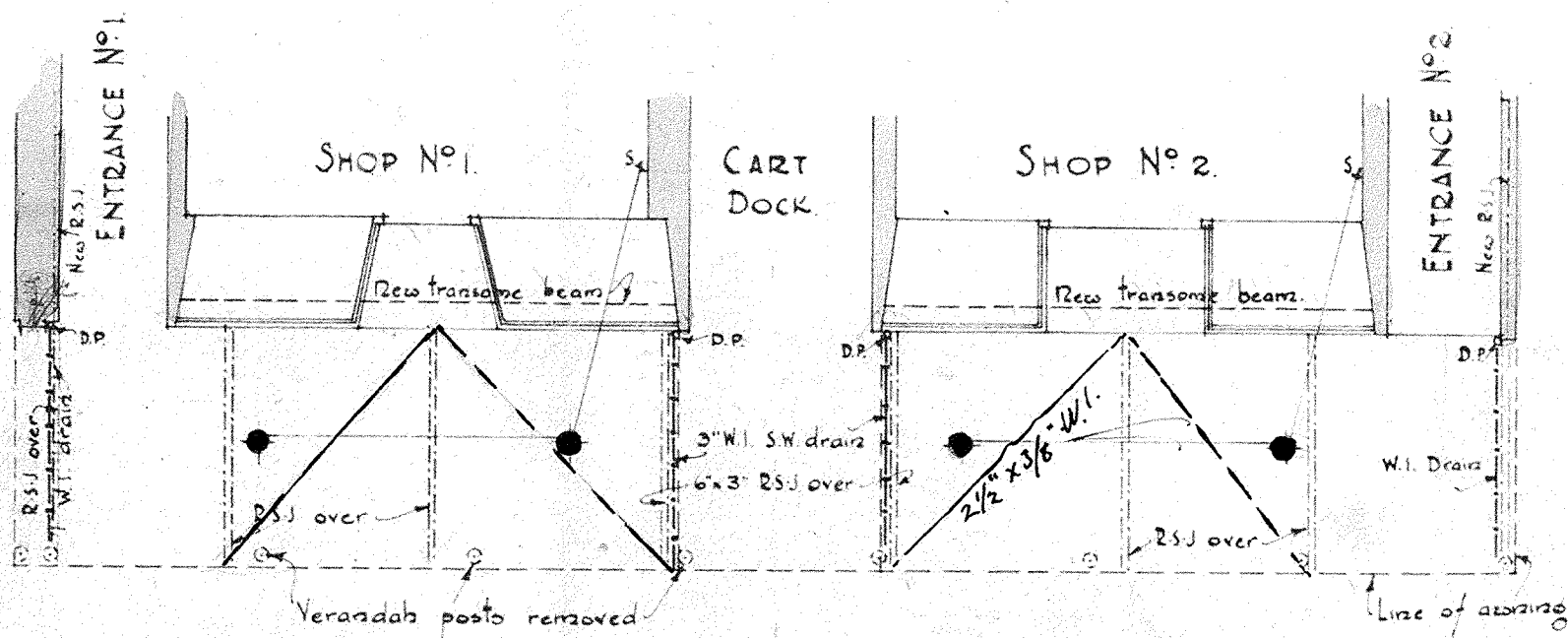
SECTION A-A



DETAIL OF AWNING BEAM CONNECTIONS.

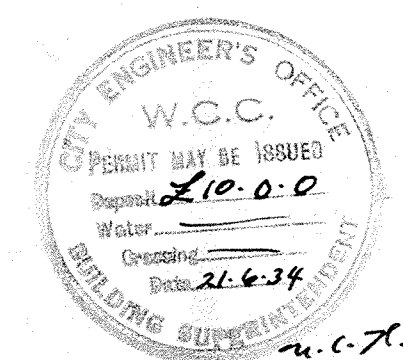
DETAIL SECTION THRO AWNING

TRANSOME BEAM CONNECTIONS



- Indicates Existing Work.
- New concrete
- New Scaffolding
- New finishing timber
- Glass
- Metalwork
- 3" W.I. Rainwater drain.
- Plaster in section.
- Electric light point switch

B13189



PLAN