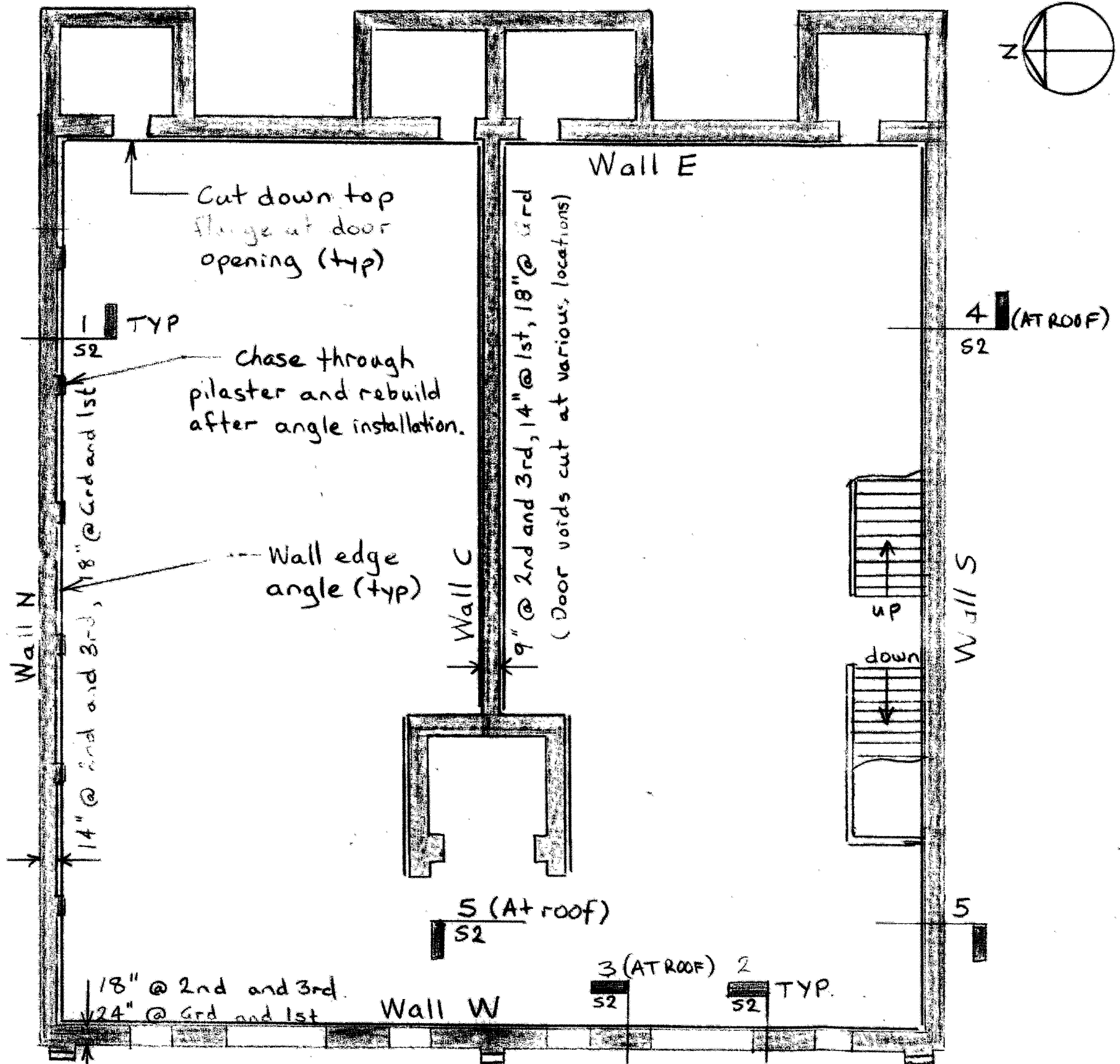


Original size 100mm



NOTES

1. Refer specification for steelwork protection & epoxy bolt spec.
2. Refer drawing S3 for general fixing sizes and spacings.
3. Welds shall be 5 mm fillet weld all round u.n.o.
4. No. 10 screws into sarking shall have 25 mm min. edge distance.

TYPICAL FLOOR PLAN (1st Floor shown)
(1:100)

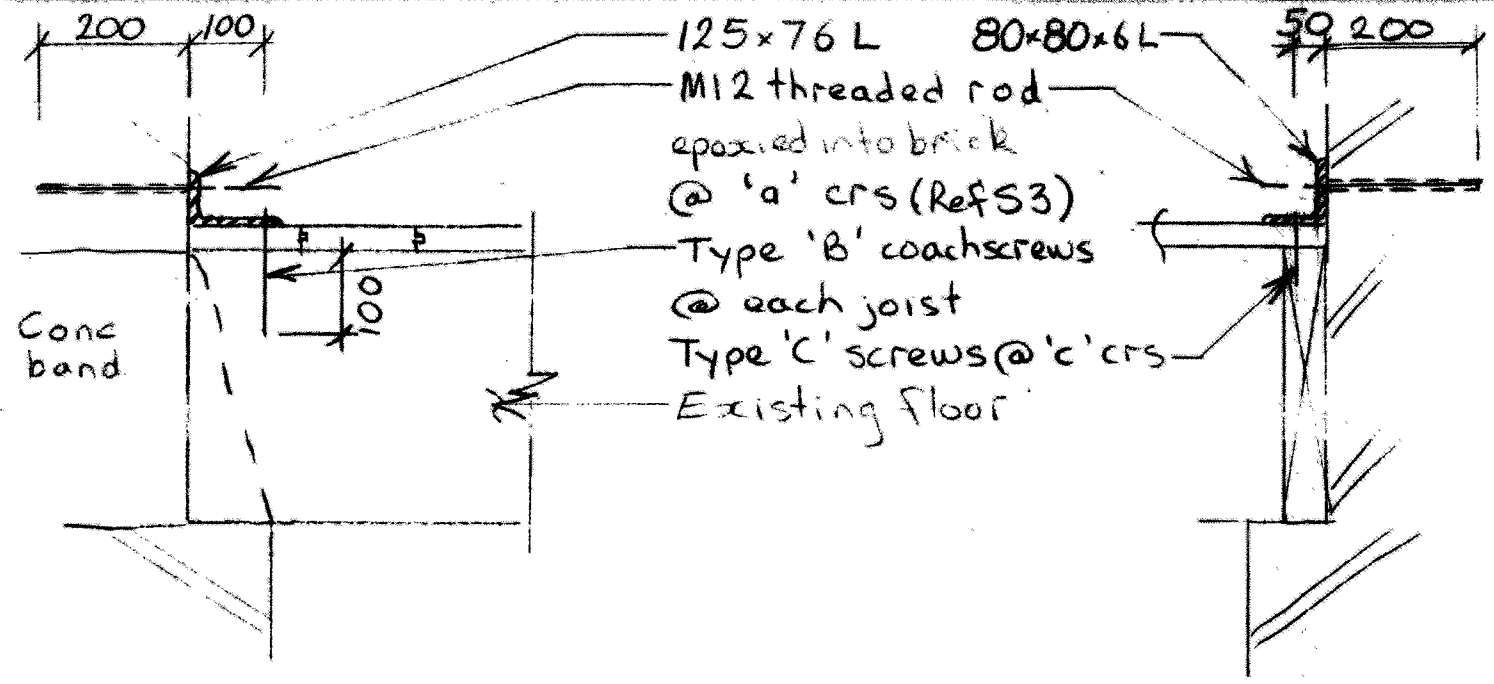
0	Issue for Construction	SJWB	AKS	THR	
	Issue for Building Consent	SJWB			13/11/92
Rev	Reason for Revision/Issue	Drawn	Ch'kd	App'd	Date

kirta **KRTA Limited**
Engineers Scientists Architects Planners
CPO Box 4498 Auckland PO Box 3582 Wellington

THE KENNEDY BUILDING, 33-39 CUBA ST.
SEISMIC STRENGTHENING - STAGE ONE
TYPICAL PLAN AND GENERAL NOTES.

Designed **SJWB** Date **11/11/92** Scales **1:100**
Drawn _____ Project _____ Drawing _____ Revision _____
Checked **AKS** **105801** **S1** **0**
Approved _____
The Contractor shall check all dimensions against the job before commencing work

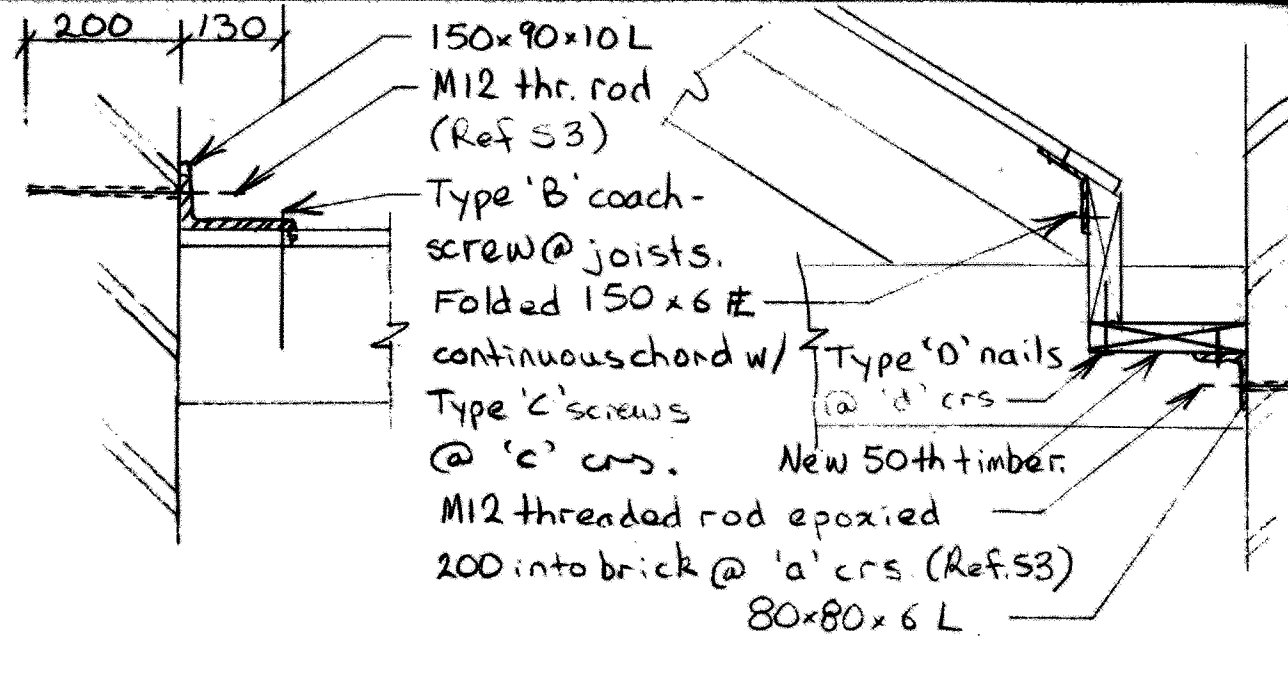
Original size 1:100



SECTION 1
1:10 S1

SECTION 2
1:10 S1

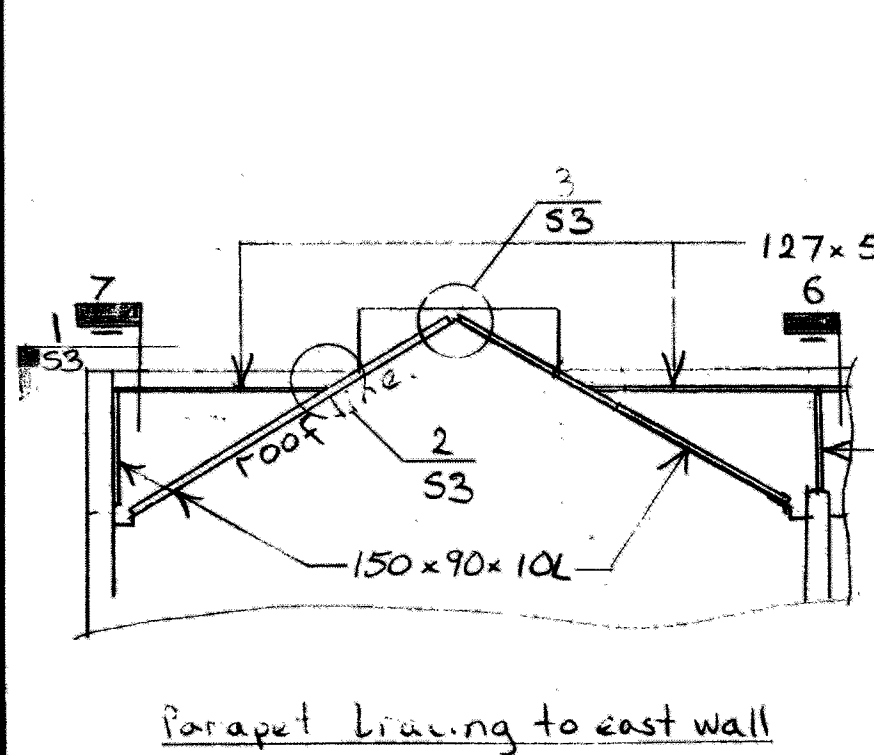
TYPICAL WALL/FLOOR CONNECTIONS



SECTION 3
1:10 S1

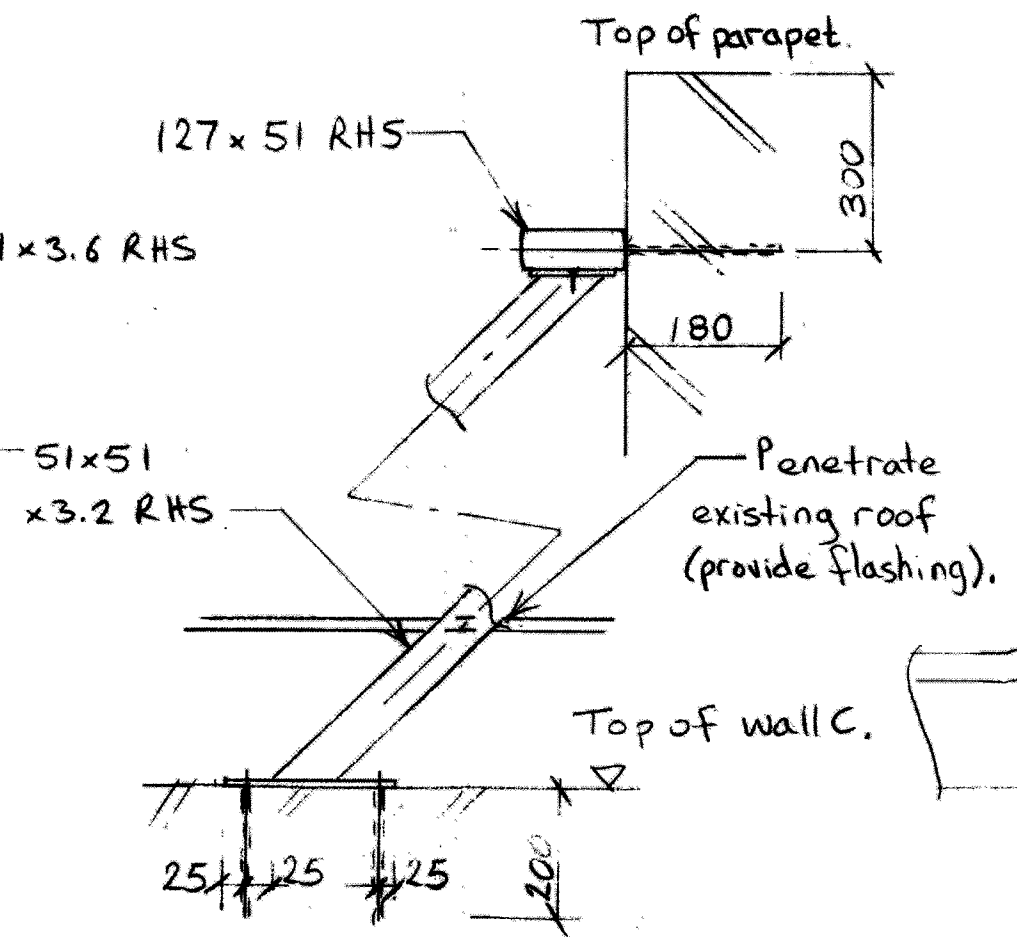
SECTION 4
NTS S1

ROOF/WALL CONNECTIONS

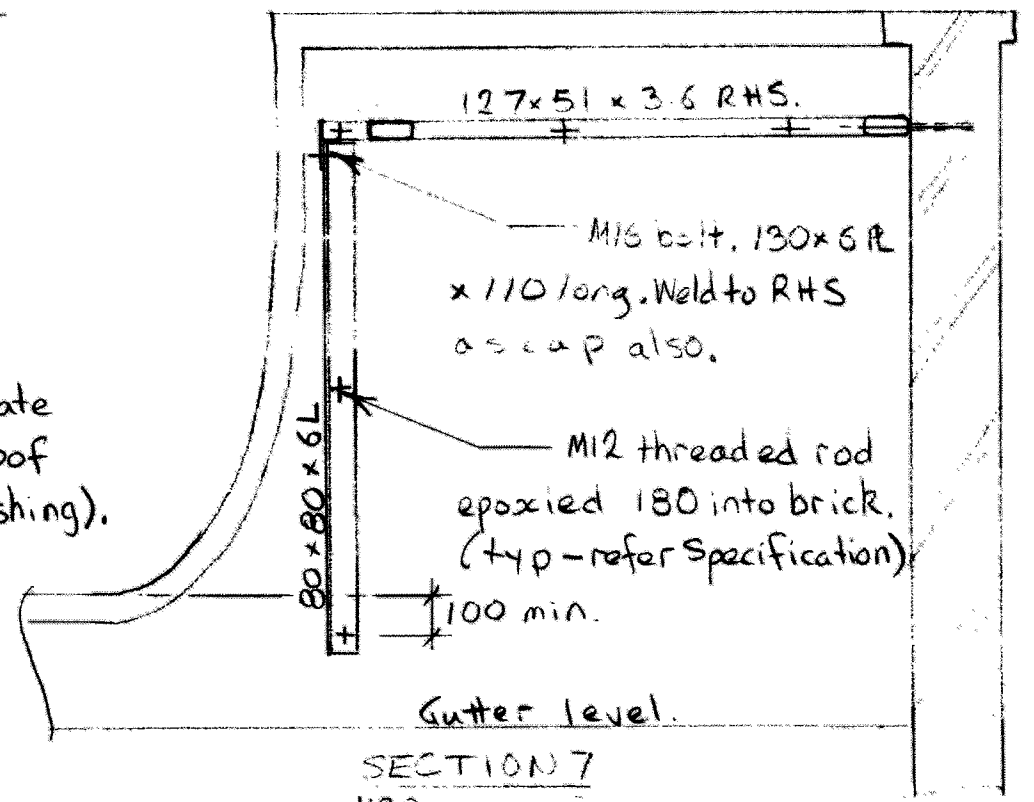


SECTION 5
1:100 S1

Parapet bracing to east wall



SECTION 6
1:10



SECTION 7
1:20

0	Issue for Construction	SJWB	ARS	TR	
	Issue for building consent	SJWB			13/11/92
Rev	Reason for Revision/Issue	Drawn	Ch'd	App'd	Date

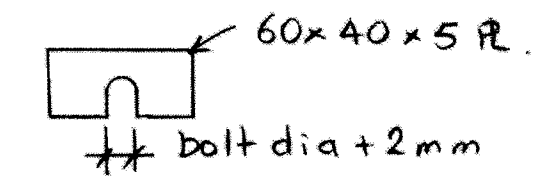
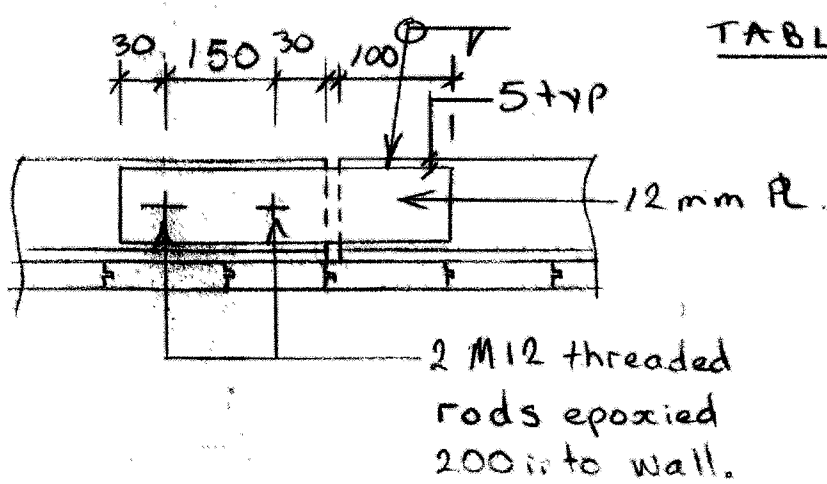
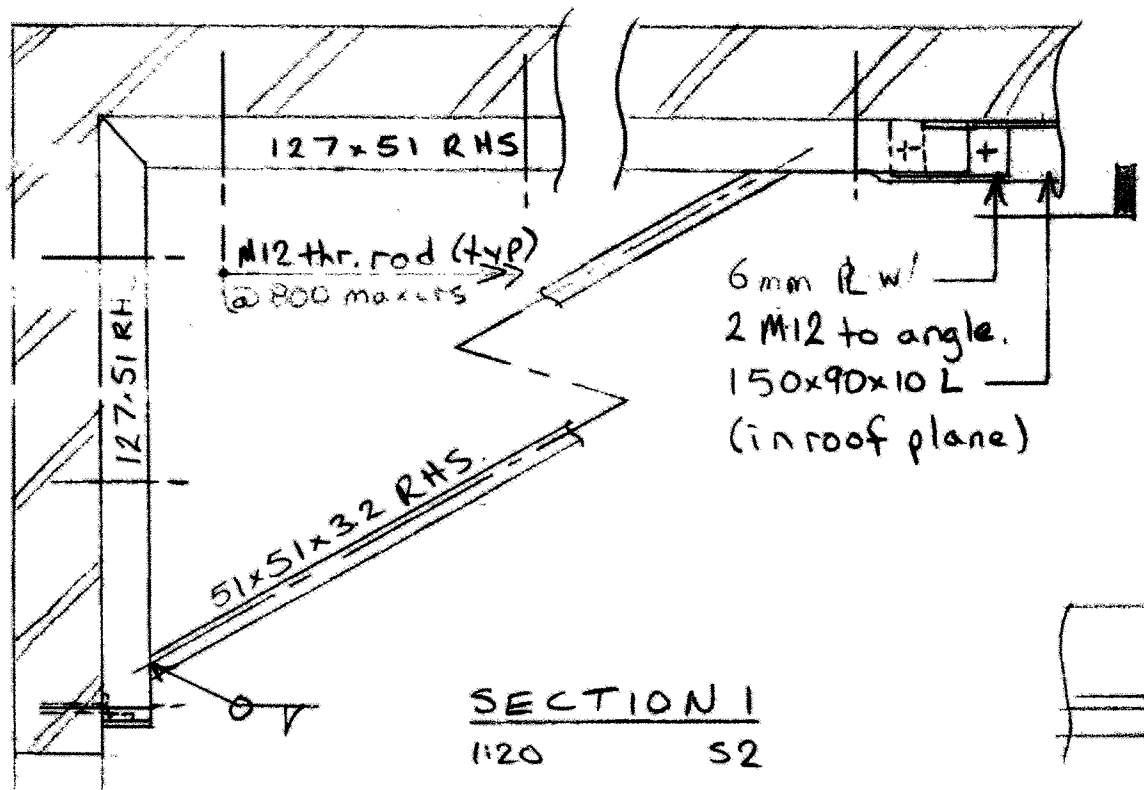
© Copyright 1992 KRTA Limited New Zealand

kirta **KRTA Limited**
 Engineers Scientists Architects Planners
 CPO Box 4498 Auckland PO Box 3582 Wellington

THE KENNEDY BUILDING, 33-39 CUBA ST.
 SEISMIC STRENGTHENING - STAGE ONE
 STEELWORK DETAILS SHEET 1

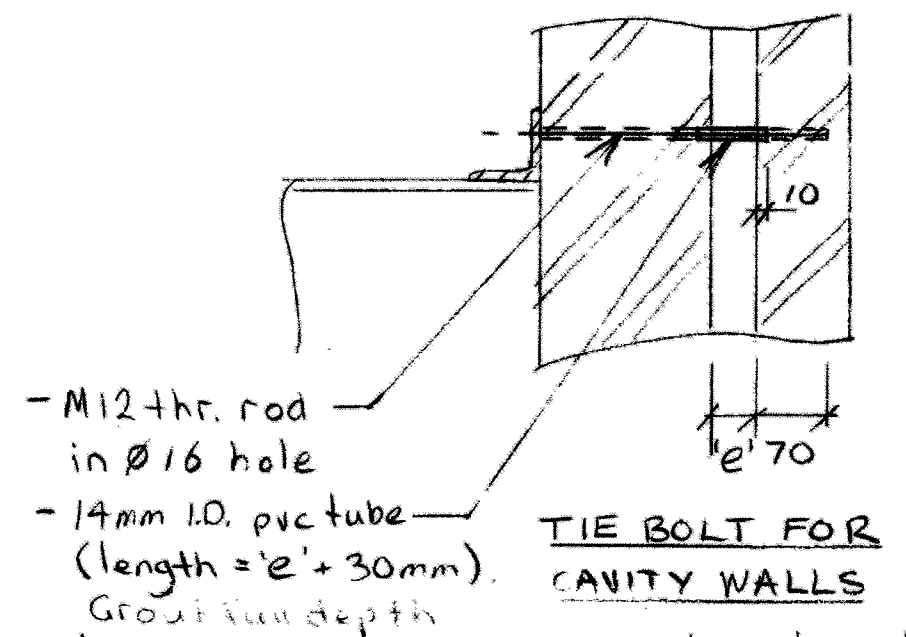
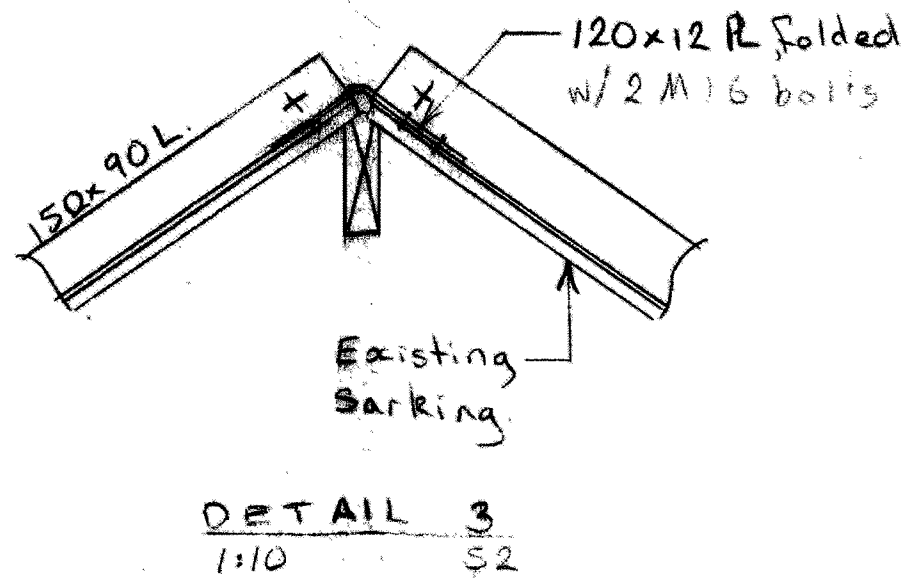
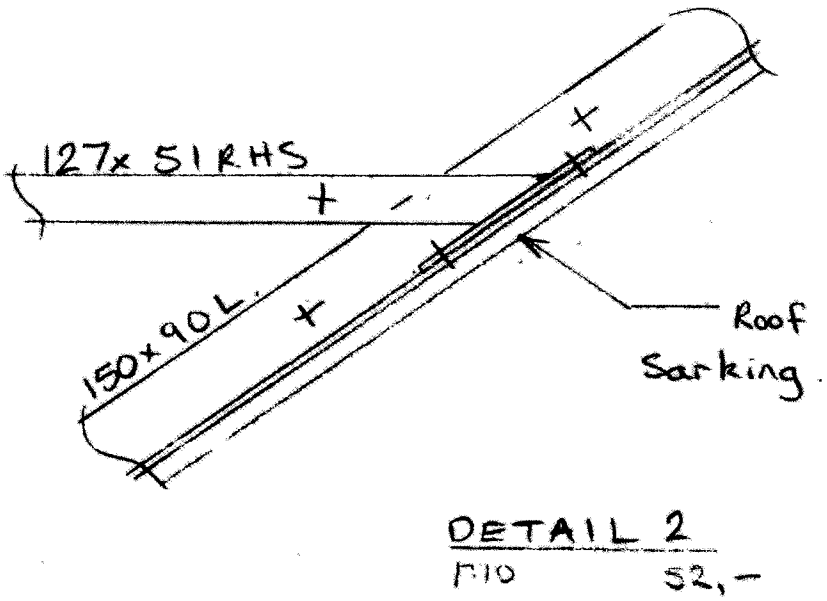
Designed **SJWB** Date **12/11/92** Scales **As Shown**
 Drawn **SJWB** Project **105801** Drawing **S2** Revision **0**
 Checked **ARS**
 Approved **TR**
 The Contractor shall check and verify all dimensions against the job before commencing work

Original size 1:10000



Level	Walls	a	B	C	c	D	d
Roof	E,W	450	M16				
	N,C,S	600		No.10 x32mm	75	∅3.15	75
Third	E,W	450		No.10 x44mm	100		
	N,C,S	750	M10				
Second	E,W	500		No.10 x44mm	100		
	N,C,S	750	M10				
First	E,W	400		No.10 x44mm	75		
	N,C,S	600	M12				

TABLE OF FIXINGS



Copyright KRTA Limited New Zealand

kirta KRTA Limited
 Engineers Scientists Architects Planners
 CPO Box 4498 Auckland PO Box 3582 Wellington

THE KENNEDY BUILDING, 33-39 CUBA ST.
 SEISMIC STRENGTHENING - STAGE ONE
 STEELWORK DETAILS SHEET 2

Rev	Reason for Revision/Issue	Drawn	Ch'kd	App'd	Date
0	Issue for Construction	SJWB	AKS	TR	
	Issue for building consent	SJWB			13/11/92

Designed **SJWB** Date **13/11/92** Scales **As Shown**
 Drawn **SJWB** Project **105801** Drawing **S3** Revision **0**
 Checked **[Signature]**
 Approved **[Signature]**
 The Contractor shall check and verify all dimensions against the job before commencing work