

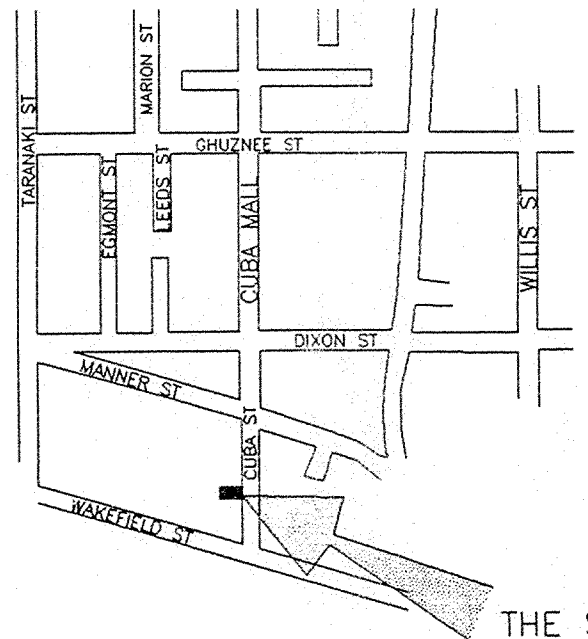
W.C.C.  
RECORDS



# DAMART BUILDING

## 41-43 CUBA ST

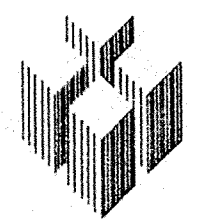
### SEISMIC UPGRADE



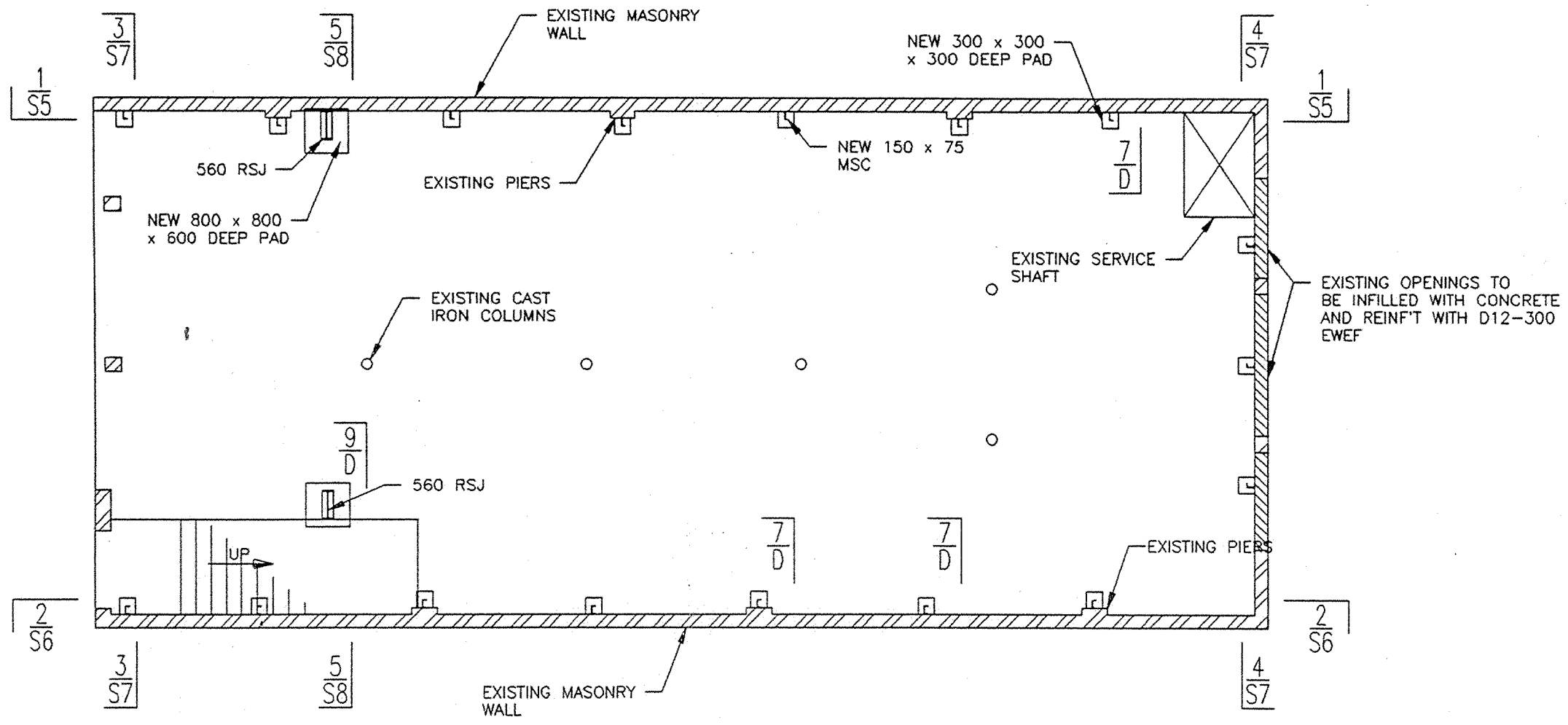
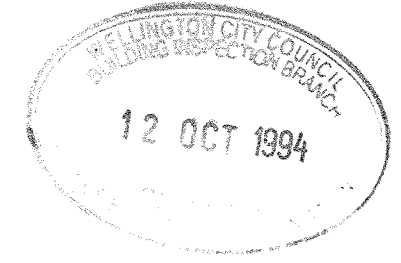
THE SITE

Dunning Thornton Consultants Ltd.  
Consulting Engineers

Phone (04) 385-0019  
Fax (04) 385-0312  
Box 27-153 Wellington



LOCALITY PLAN



**DAMART BUILDING  
SEISMIC UPGRADE**

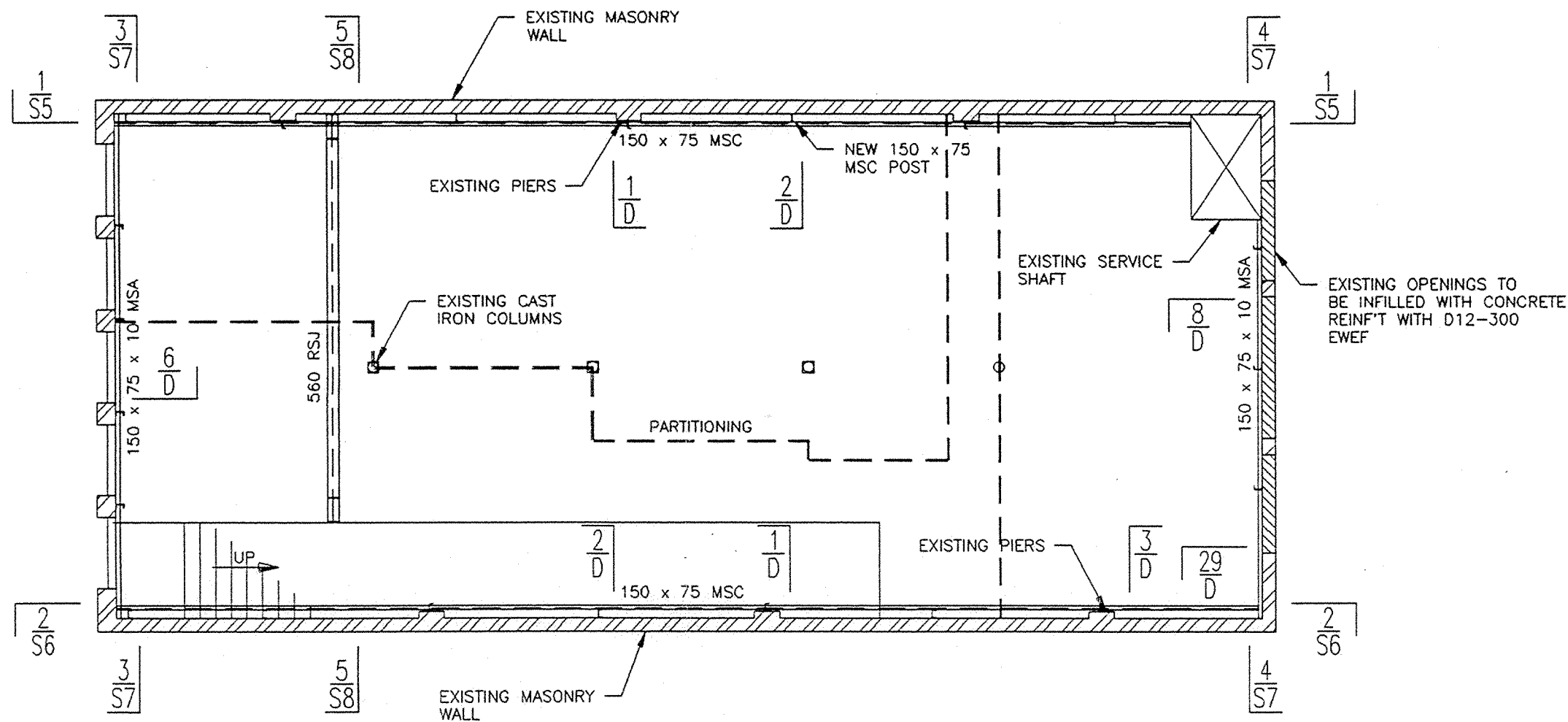
**GROUND FLOOR  
PLAN**

AMENDMENTS	DATE
DATE PLOTTED	11-10-94
F	
C	
B	
A	
FIRST ISSUE	CONSENT 11-10-94

SCALES	1:100
DRAWN	CRM
CAD REFERENCE	2767
JOB/DRAWING NUMBER	2767 - S1



**Dunning Thornton Consultants Ltd**  
Consulting Engineers  
Phone (844) 385-0018  
Fax (844) 385-0312  
Box 27-153 Wellington, N.Z.



**DAMART BUILDING  
SEISMIC UPGRADE**

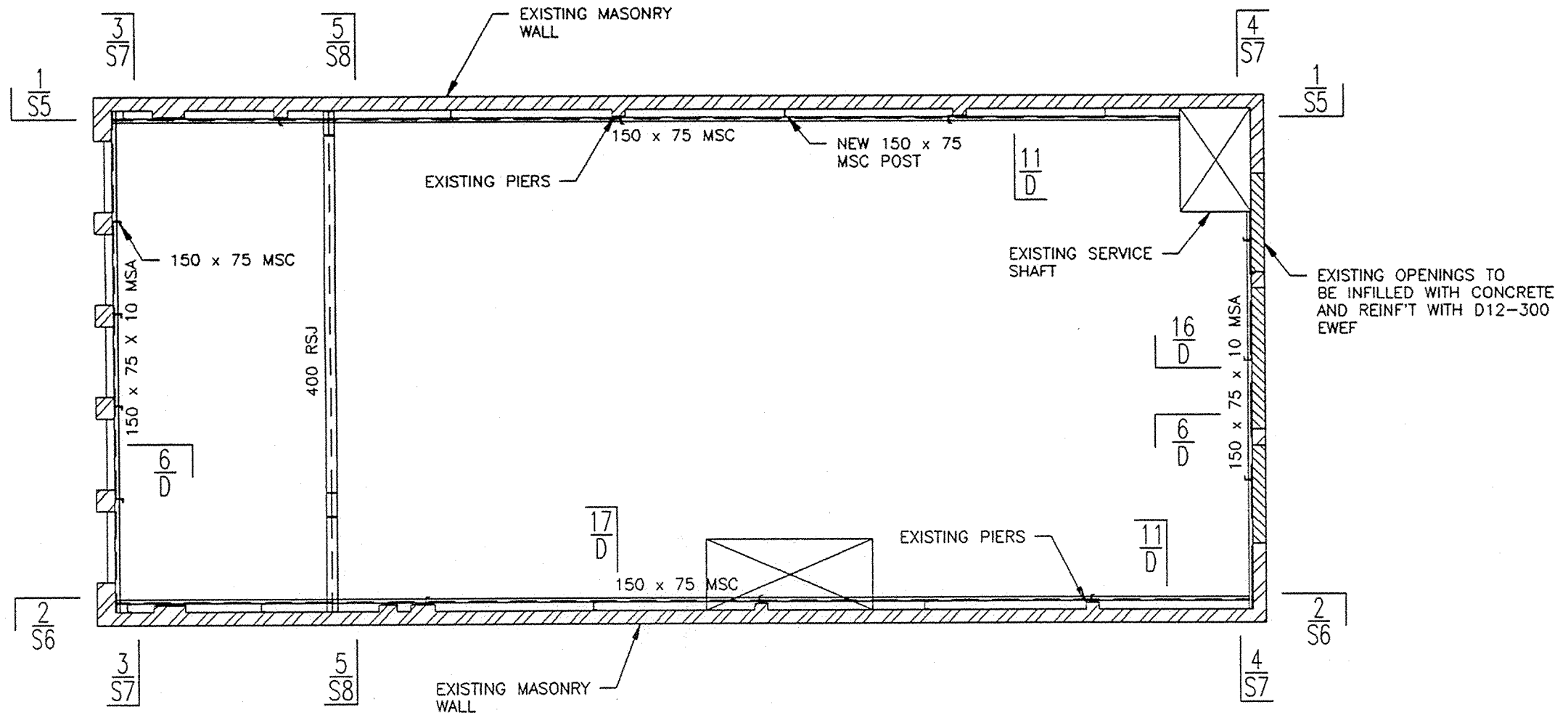
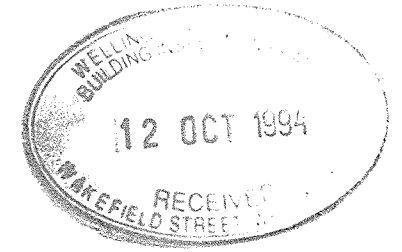
**FIRST FLOOR  
PLAN**

AMENDMENTS	DATE
DATE PLOTTED	11-10-94
E	
D	
C	
B	
A	
FIRST ISSUE	CONSENT 11-10-94

SCALES	1:100
DRAWN	CRM
CAD REFERENCE	2767
JOB/DRAWING NUMBER	2767 - S2



**Dunning Thornton Consultants Ltd**  
Consulting Engineers  
Phone (044) 385-0019  
Fax (044) 385-0312  
Box 27-153 Wellington, N.Z.



**DAMART BUILDING  
SEISMIC UPGRADE**

**SECOND FLOOR  
PLAN**

AMENDMENTS	DATE
DATE PLOTTED	11-10-94
E	
D	
C	
B	
A	
FIRST ISSUE	CONSENT 11-10-94

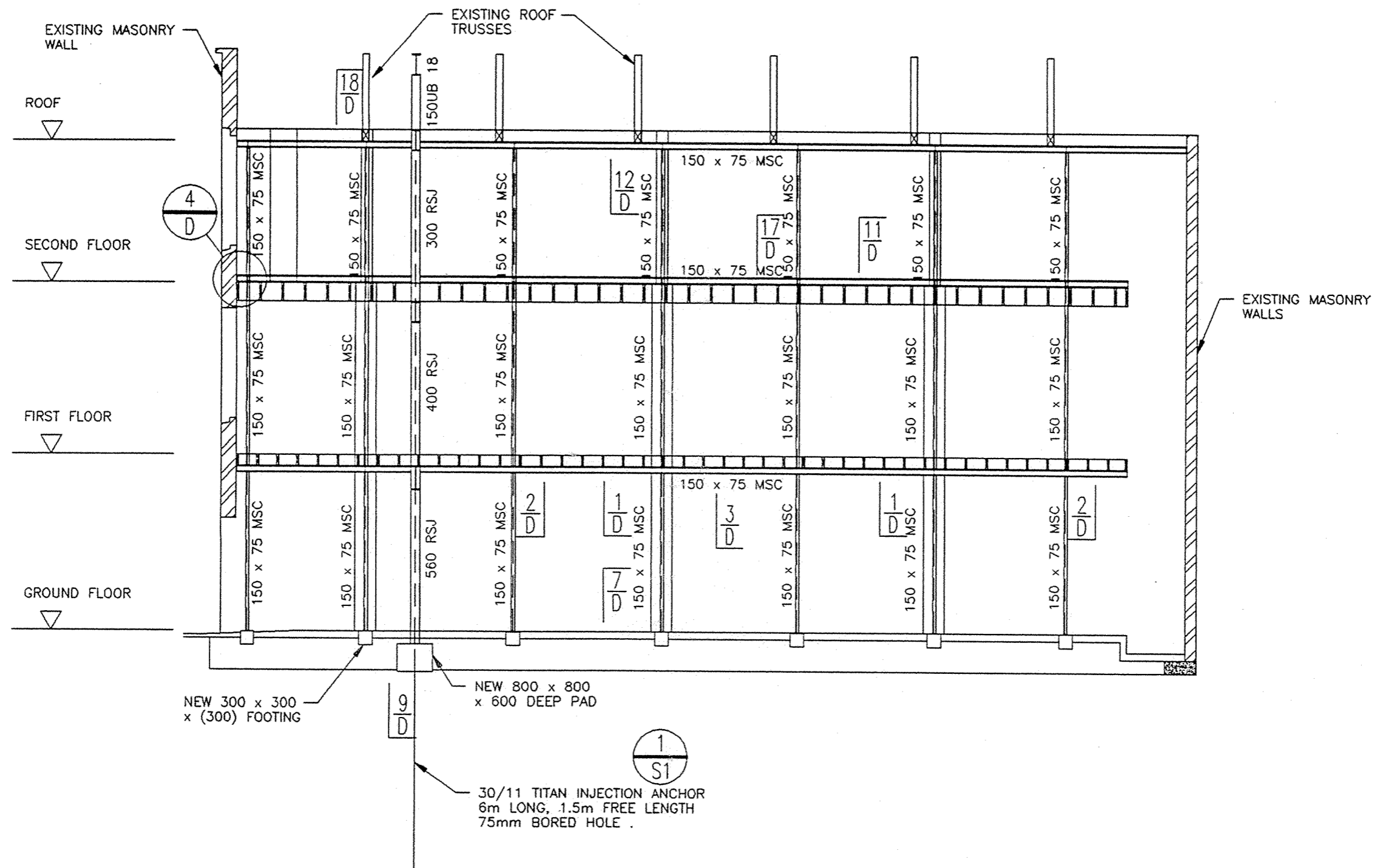
SCALES	1:100
DRAWN	CRM
CAD REFERENCE	2767
JOB/DRAWING NUMBER	2767 - S3



**Dunning Thornton Consultants Ltd**  
Consulting Engineers  
Phone (644) 388-0019  
Fax (644) 388-0312  
Box 27-153 Wellington, N.Z.







**DAMART BUILDING  
SEISMIC UPGRADE**

NORTH  
ELEVATION

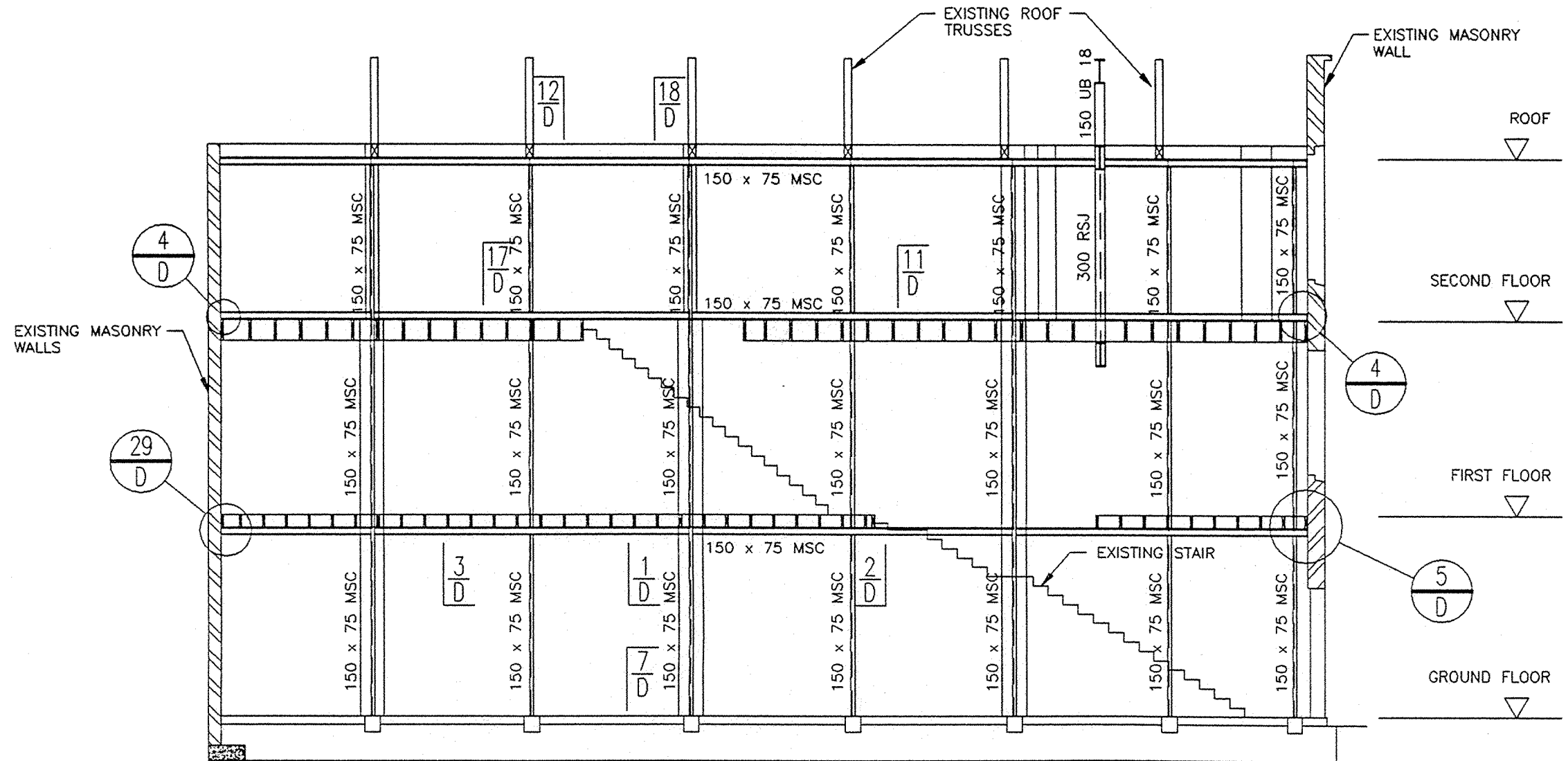
AMENDMENTS	DATE
DATE PLOTTED	11-10-94
FIRST ISSUE	CONSENT 11-10-94

SCALES	1:100
DRAWN	CRM
CAD REFERENCE	2767
JOB/DRAWING NUMBER	2767 - S5



**Dunning Thornton Consultants Ltd**  
Consulting Engineers  
Phone (644) 385-0019  
Fax (644) 385-0312  
Box 27-153 Wellington, N.Z.

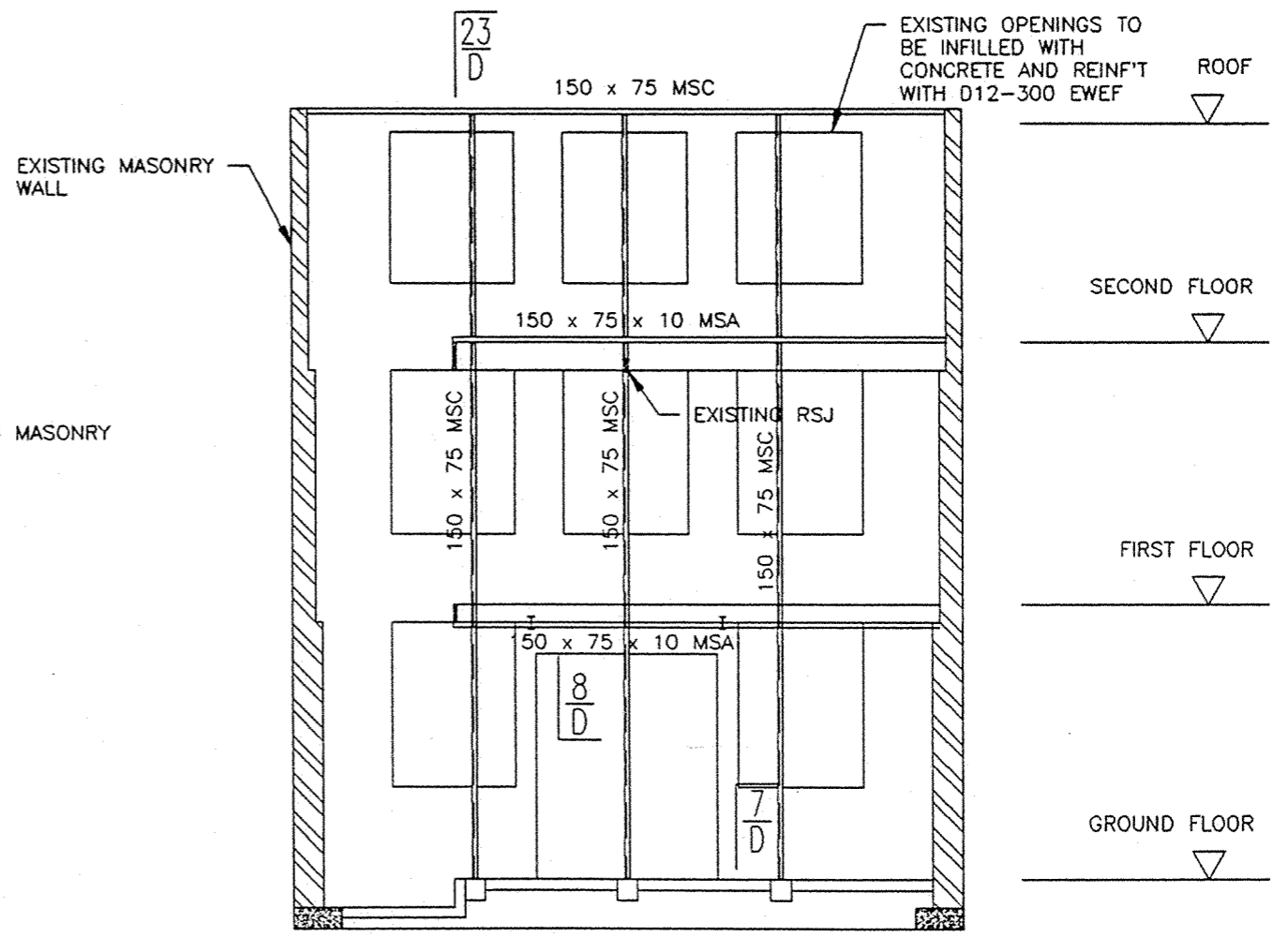
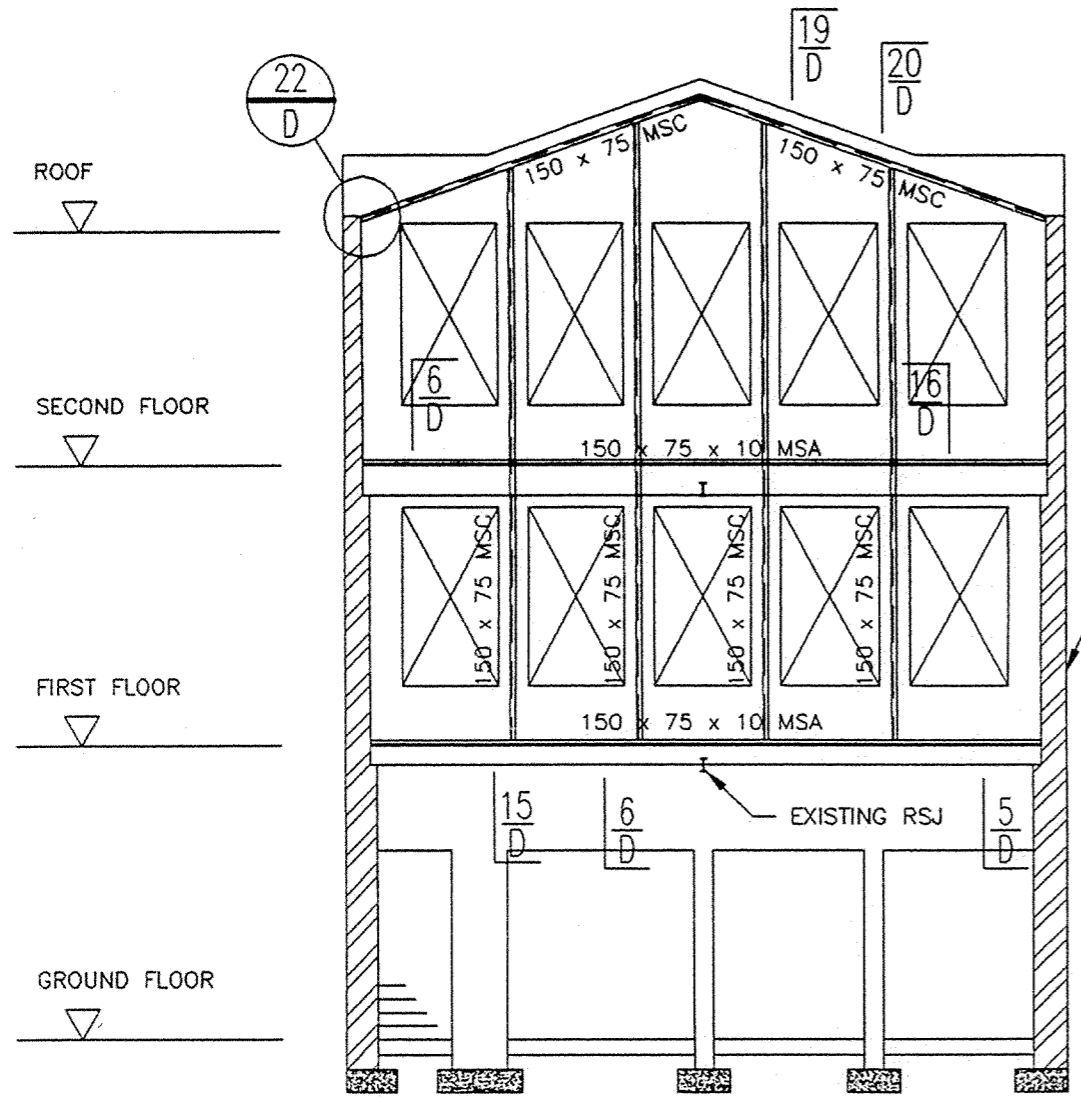




AMENDMENTS		DATE
DATE PLOTTED		11-10-94
F		
D		
C		
B		
A		
FIRST ISSUE	CONSENT	11-10-94

SCALES	1:100
DRAWN	CRM
CAD REFERENCE	2767
JOB/DRAWING NUMBER	2767 - S6

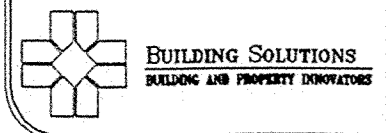




3  
S1

4  
S1

NOTE:  
FOR REINFORCING OF OPENINGS  
REFER TO ELEVATION 4 ON S8



# DAMART BUILDING SEISMIC UPGRADE

EAST & WEST  
ELEVATIONS

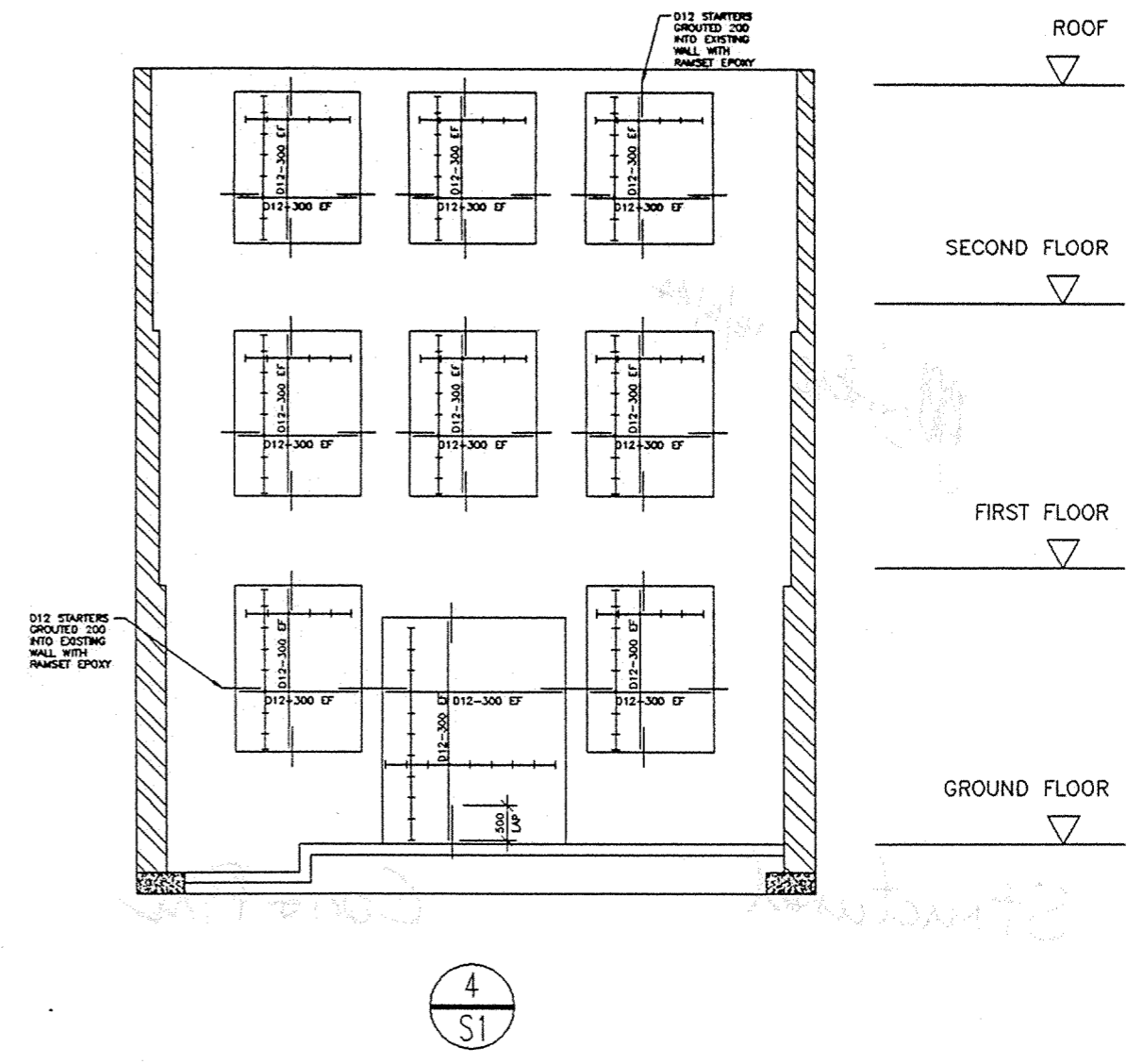
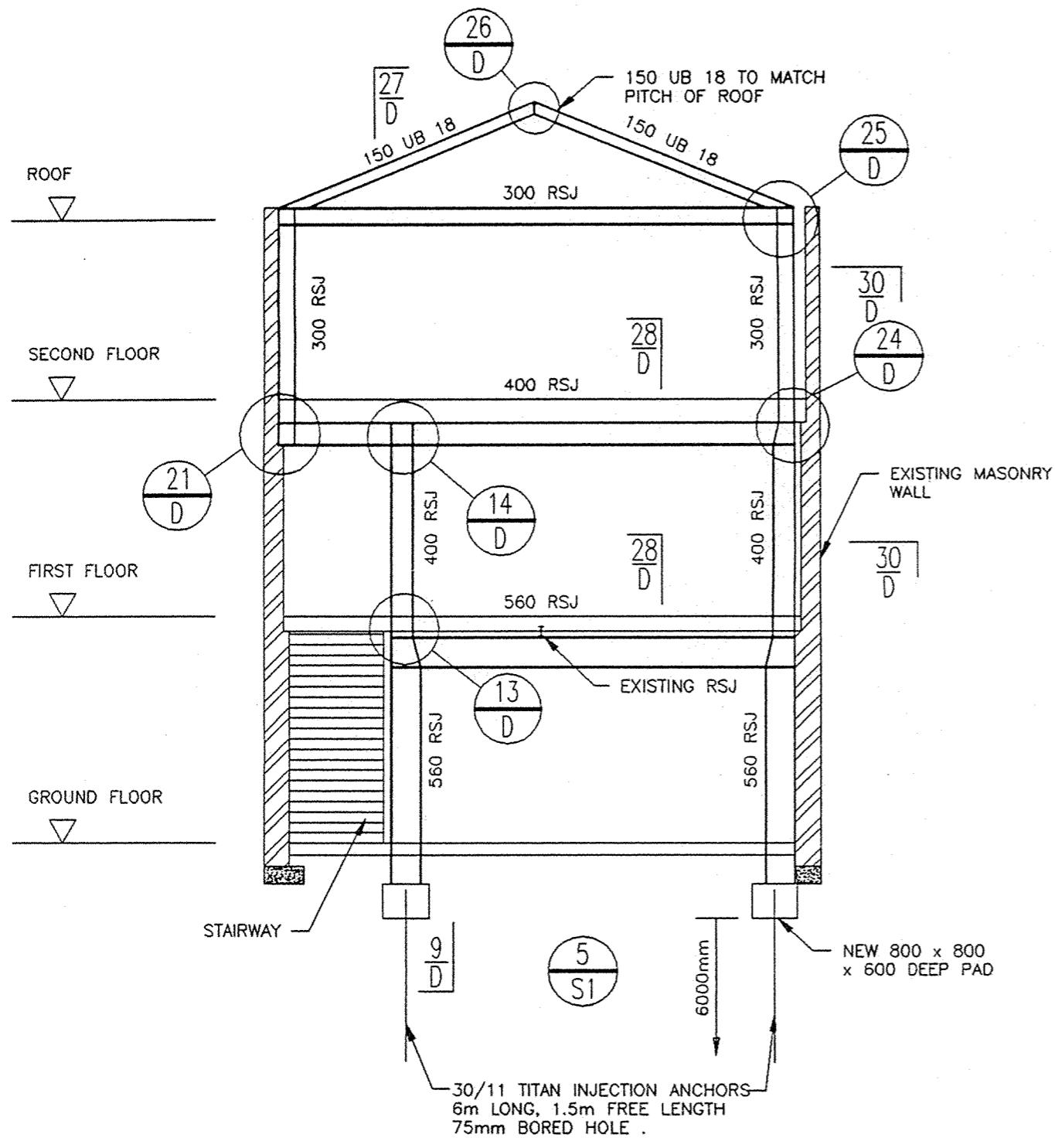
AMENDMENTS	DATE
DATE PLOTTED	11-10-94
E	
D	
C	
B	
A	
FIRST ISSUE	CONSENT 11-10-94

SCALES	1:100
DRAWN	CRM
CAD REFERENCE	2767
JOB/DRAWING NUMBER	2767 - S7



Dunning Thornton Consultants Ltd  
Consulting Engineers  
Phone (644) 385-0019  
Fax (644) 385-0312  
Box 27-153 Wellington, N.Z.





AMENDMENTS		DATE
DATE PLOTTED		11-10-94
F		
D		
C		
B		
A		
FIRST ISSUE	CONSENT	11-10-94

SCALES	1:100
DRAWN	CRM
CAD REFERENCE	2767
JOB/DRAWING NUMBER	2767 - S8

Dunning Thornton Consultants Ltd

Consulting Engineers

Phone (644) 385-0019

Fax (644) 385-0312

Box 27-153 Wellington, N.Z



DETAIL



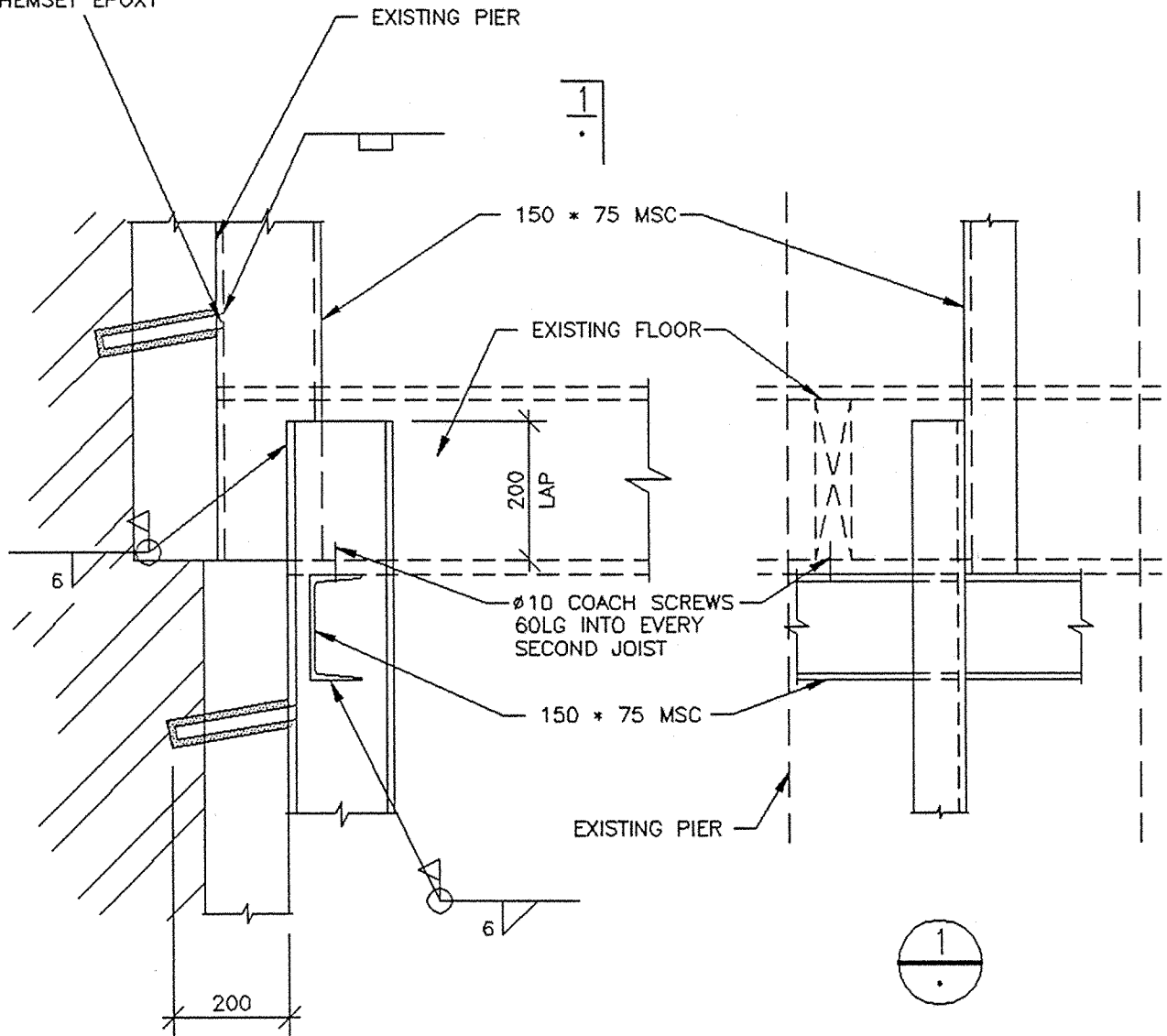
Job No.: 2767

Revision

Scale : 1:10

CAD Ref:  
2767DET

D16 ANCHORS-600 CRS  
GROUTED 200 INTO  $\phi 20$  HOLE  
AT 10° ANGLE WITH  
CHEMSET EPOXY



AMENDMENTS	DATE	DATE PLOTTED	This drawing referred to on Drawing(s) Nos:  S2,S5,S6
B			
A			
First issue	CONSENT	7-10-94	
		29-9-94	

Dunning Thornton Consultants Ltd

Consulting Engineers

Phone (644) 385-0019

Fax (644) 385-0312

Box 27-153 Wellington, N.Z



DETAIL

2  
D

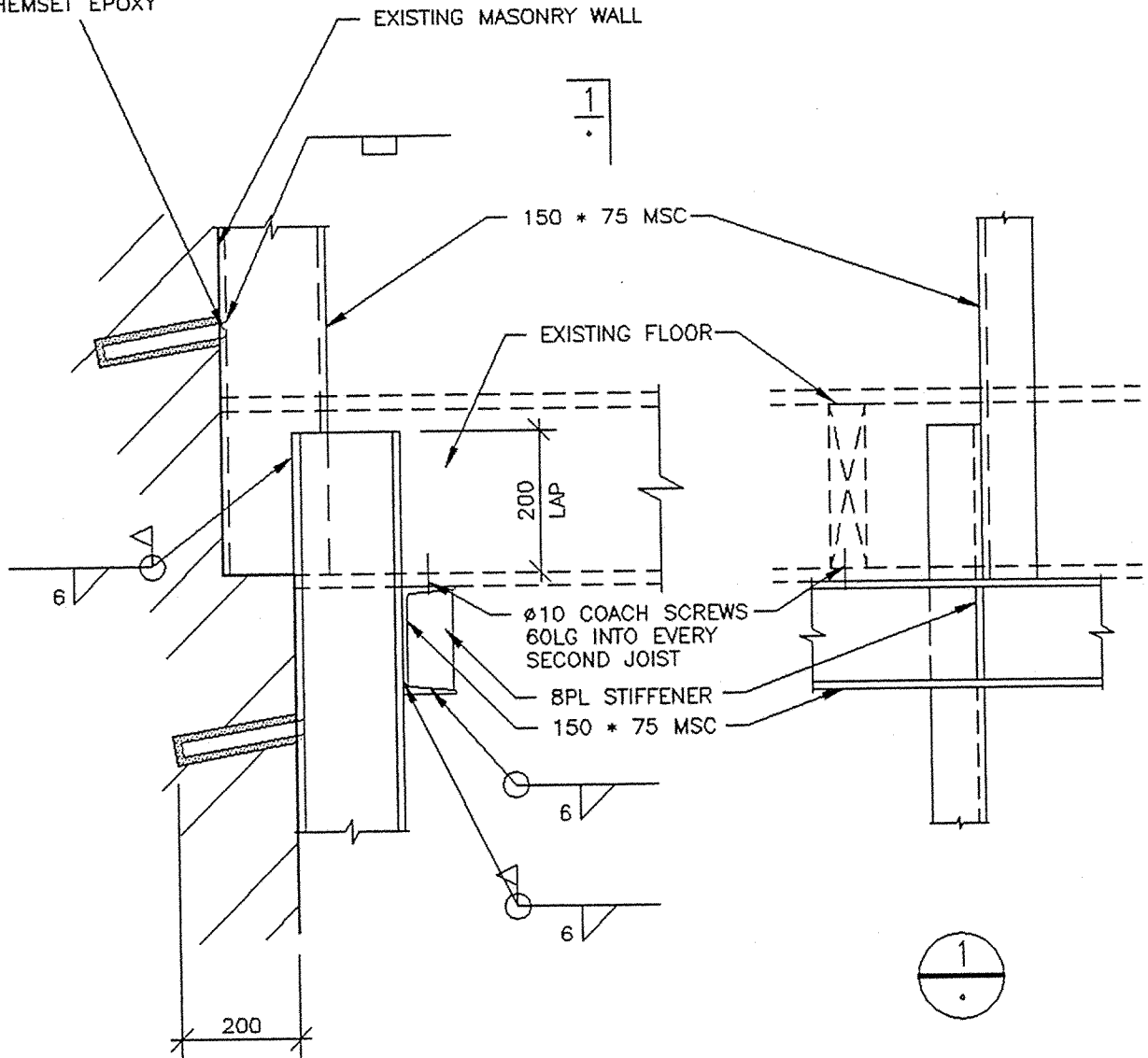
Job No.: 2767

Revision

Scale : 1:10

CAD Ref:  
2767DET

D16 ANCHORS-600 CRS  
GROUTED 200 INTO Ø20 HOLE  
AT 10° ANGLE WITH  
CHEMSET EPOXY



**NOTE:**

D16 ANCHOR DETAIL APPLIES TO ALL  
STEELWORK-600 CRS

AMENDMENTS		DATE	DATE PLOTTED	This drawing referred to on Drawing(s) Nos:
B				
A				
First issue	CONSENT	7-10-94	29-9-94	

Dunning Thornton Consultants Ltd

Consulting Engineers

Phone (644) 385-0019

Fax (644) 385-0312

Box 27-153 Wellington, N.Z



DETAIL

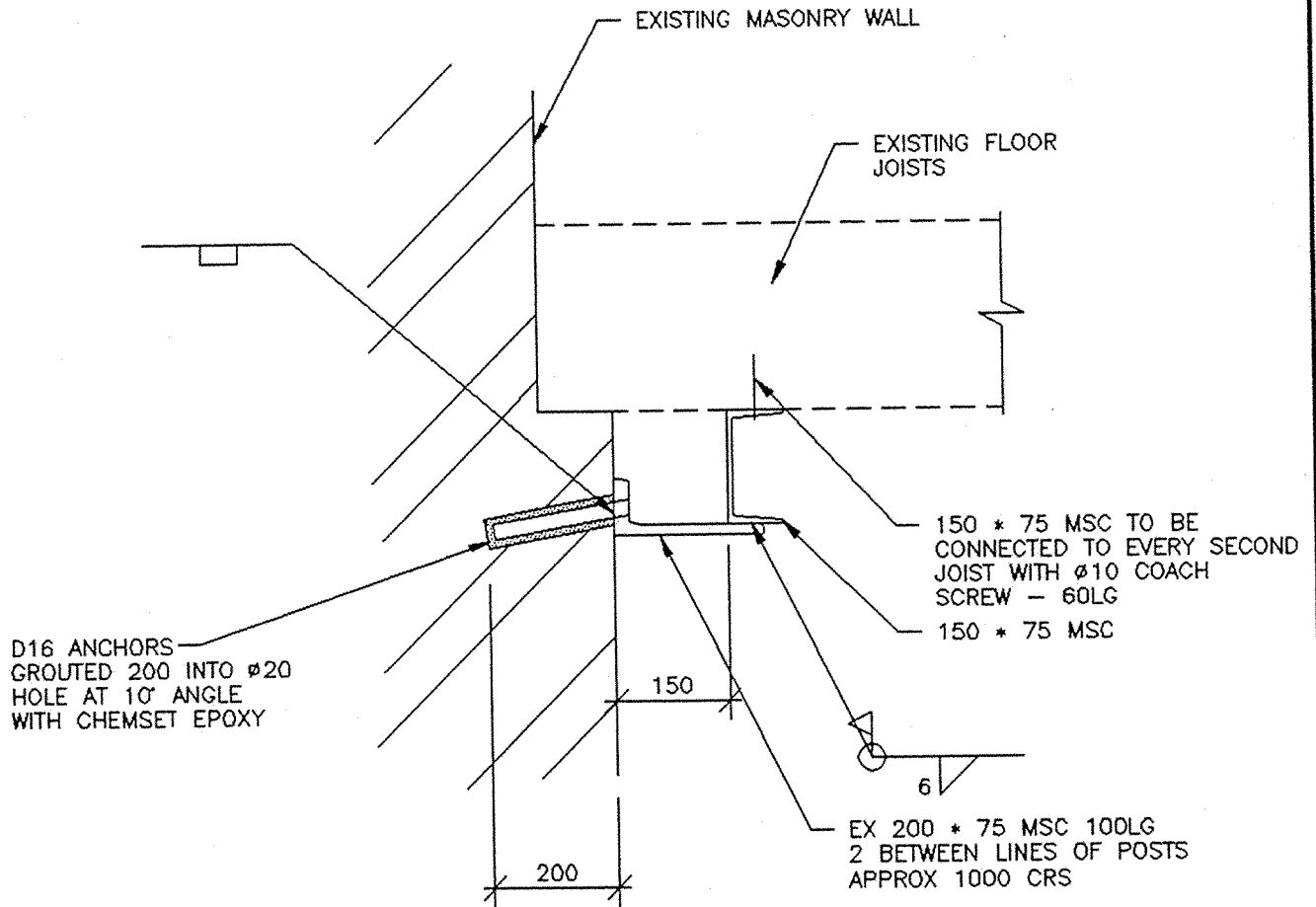


Job No.: 2767

Revision

Scale : 1:10

CAD Ref:  
2767DET



AMENDMENTS	DATE	DATE PLOTTED	This drawing referred to on Drawing(s) Nos:
B		29-9-94	S2,S4,S5,S6
A			
First issue	CONSENT		

Dunning Thornton Consultants Ltd

Consulting Engineers

Phone (644) 385-0019

Fax (644) 385-0312

Box 27-153 Wellington, N.Z



DETAIL

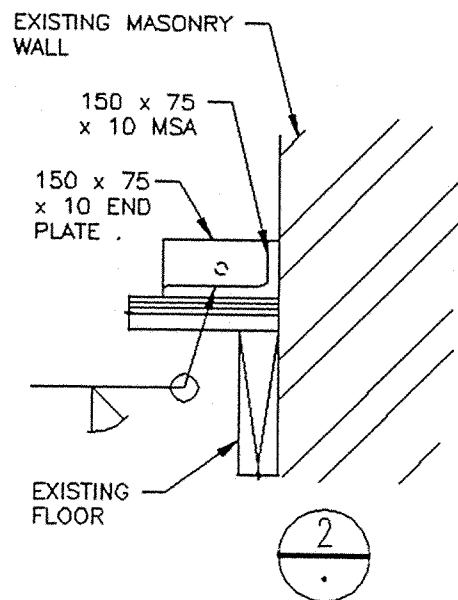
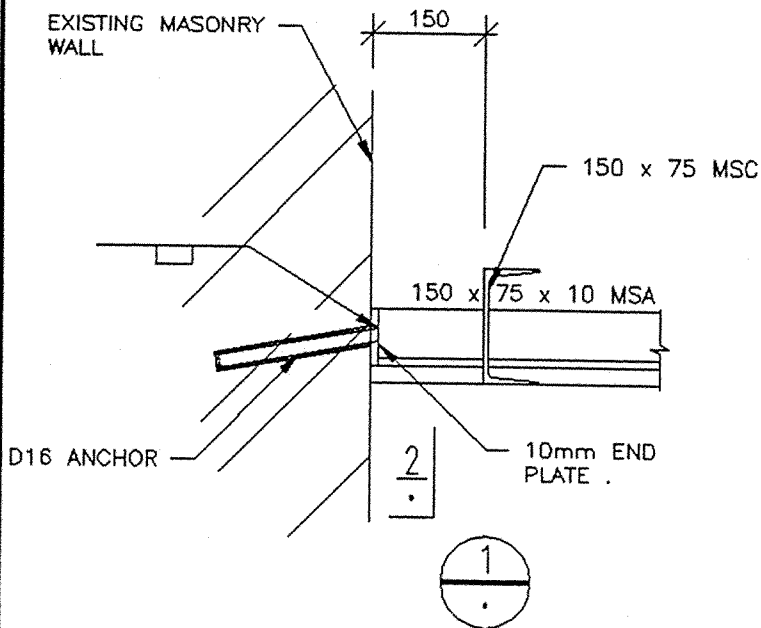
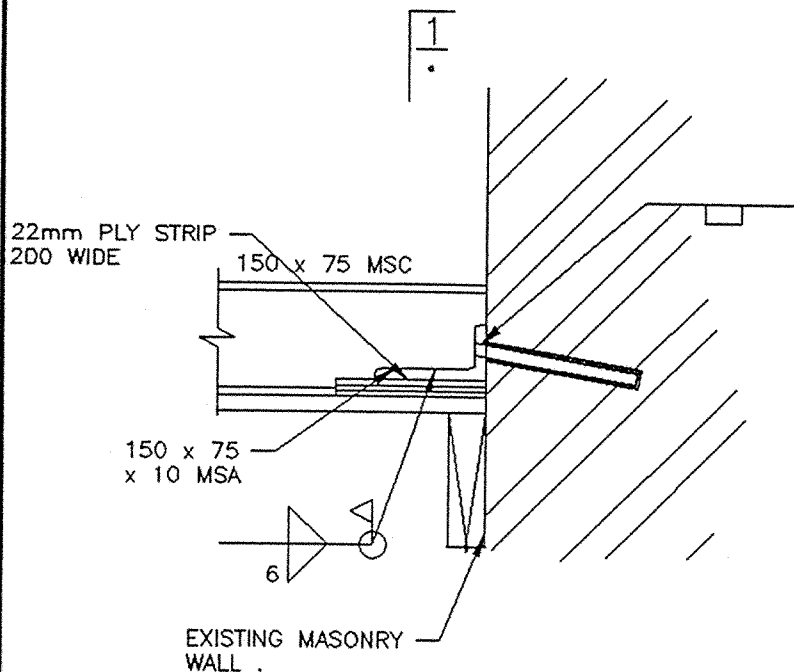
4  
D

Job No.: 2767

Revision

Scale : 1:10

CAD Ref:  
2767DET



AMENDMENTS

DATE

DATE  
PLOTTED

This drawing referred to on  
Drawing(s) Nos:

B

A

First issue

CONSENT

7-10-94

29-9-94

S5,S6

Dunning Thornton Consultants Ltd

Consulting Engineers

Phone (644) 385-0019

Fax (644) 385-0312

Box 27-153 Wellington, N.Z



DETAIL

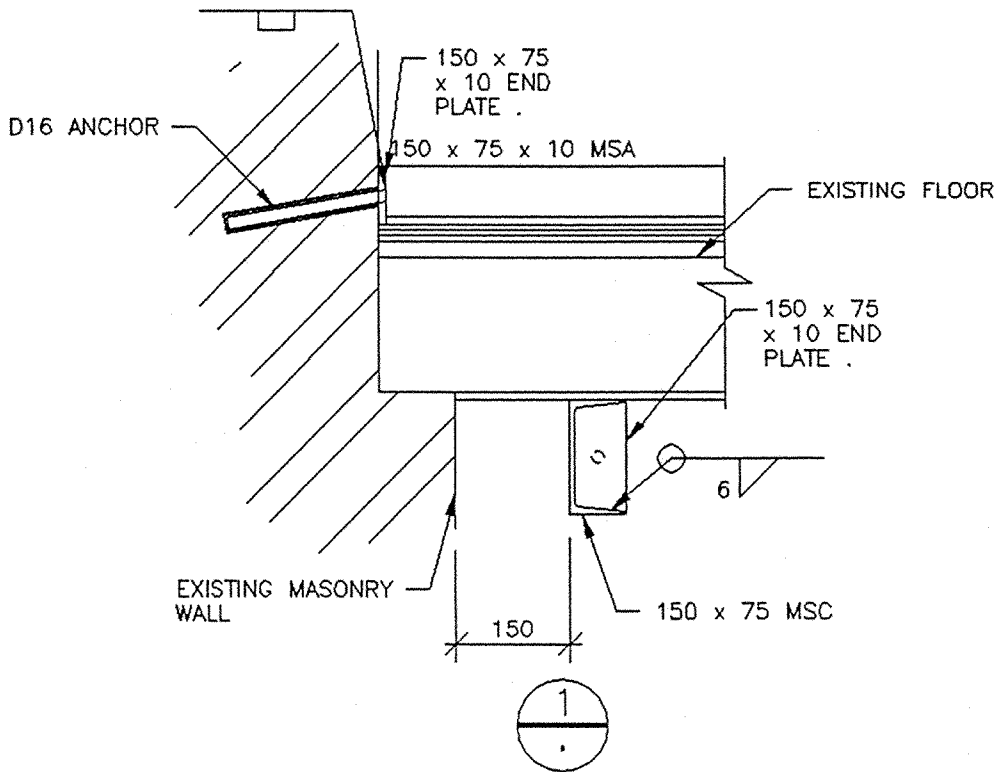
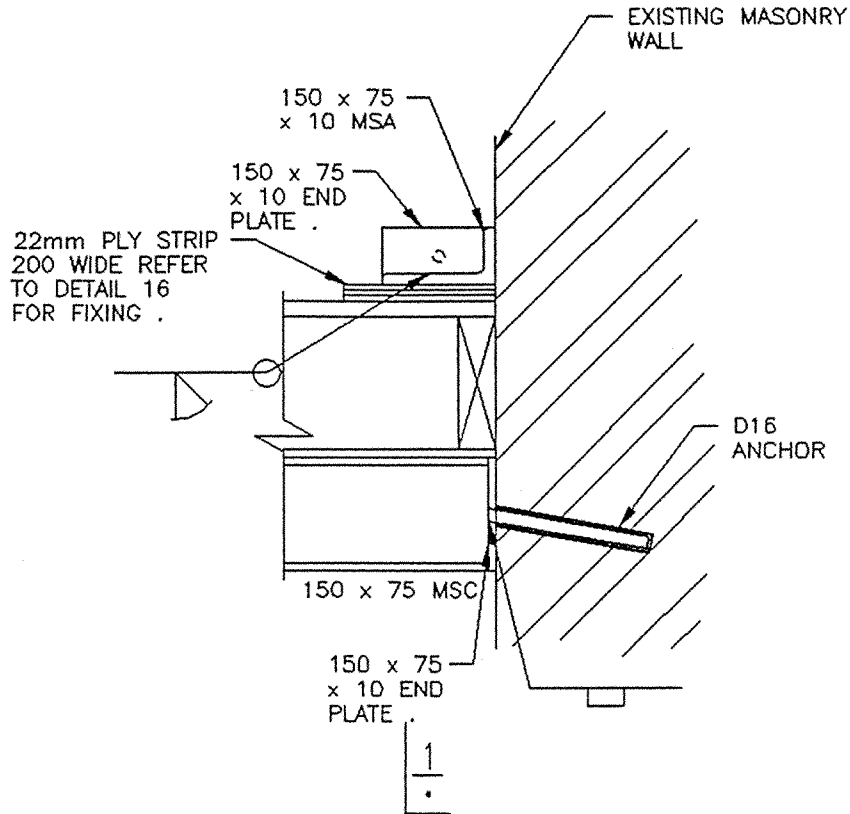
5  
D

Job No.: 2767

Revision

Scale : 1:10

CAD Ref:  
2767DET



AMENDMENTS

DATE

DATE  
PLOTTED

This drawing referred to on  
Drawing(s) Nos:

B

A

First issue CONSENT

7-10-94

29-9-94

S6,S7

Dunning Thornton Consultants Ltd

Consulting Engineers

Phone (644) 385-0019

Fax (644) 385-0312

Box 27-153 Wellington, N.Z



DETAIL

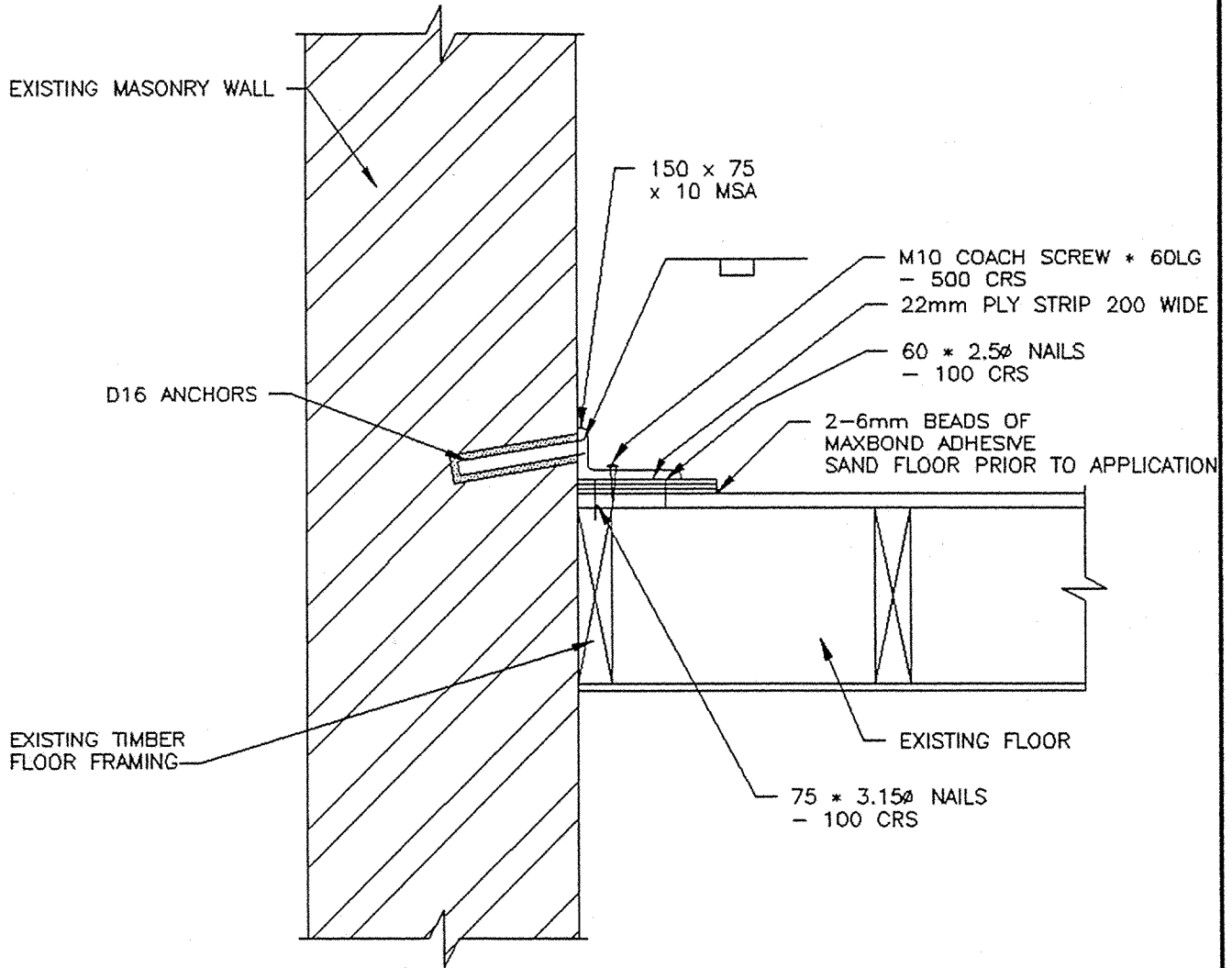


Job No.: 2767

Revision

Scale : 1:10

CAD Ref:  
2767DET



AMENDMENTS		DATE	DATE PLOTTED	This drawing referred to on Drawing(s) Nos:
B				
A				
First issue	CONSENT	7-10-94		

Dunning Thornton Consultants Ltd

Consulting Engineers

Phone (644) 385-0019

Fax (644) 385-0312

Box 27-153 Wellington, N.Z



DETAIL

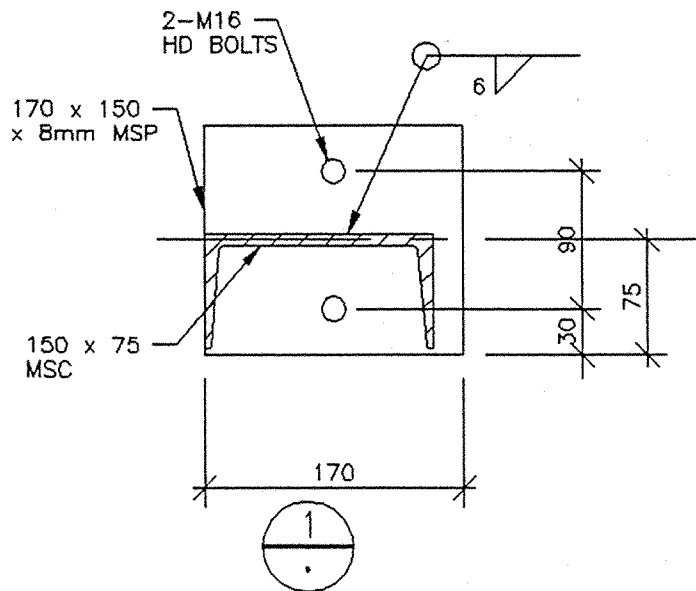
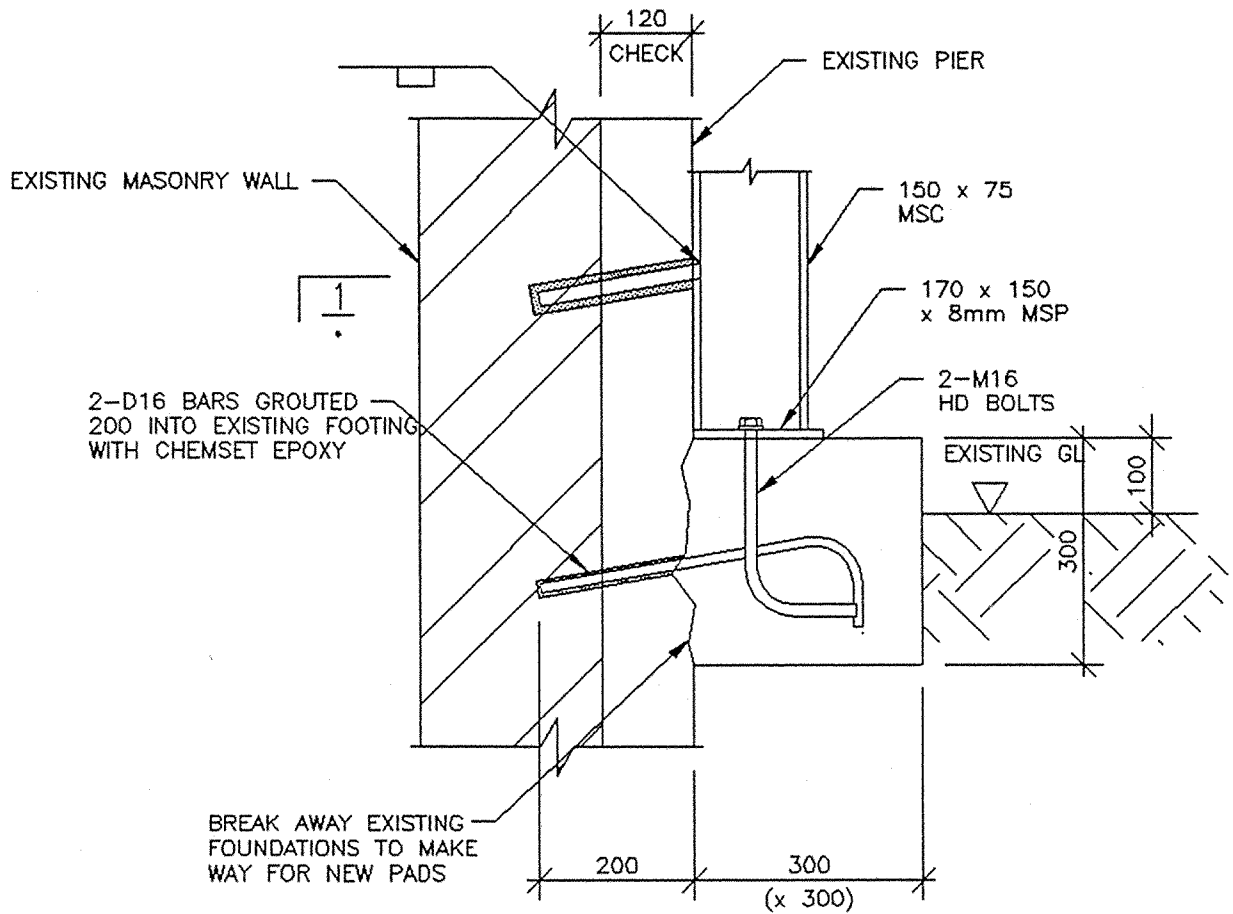


Job No.: 2767

Revision

Scale : 1:10

CAD Ref:  
2767DET



AMENDMENTS		DATE	DATE PLOTTED	This drawing referred to on Drawing(s) Nos:
B				
A				
First issue	CONSENT	7-10-94		



Dunning Thornton Consultants Ltd

Consulting Engineers

Phone (644) 385-0019

Fax (644) 385-0312

Box 27-153 Wellington, N.Z



DETAIL

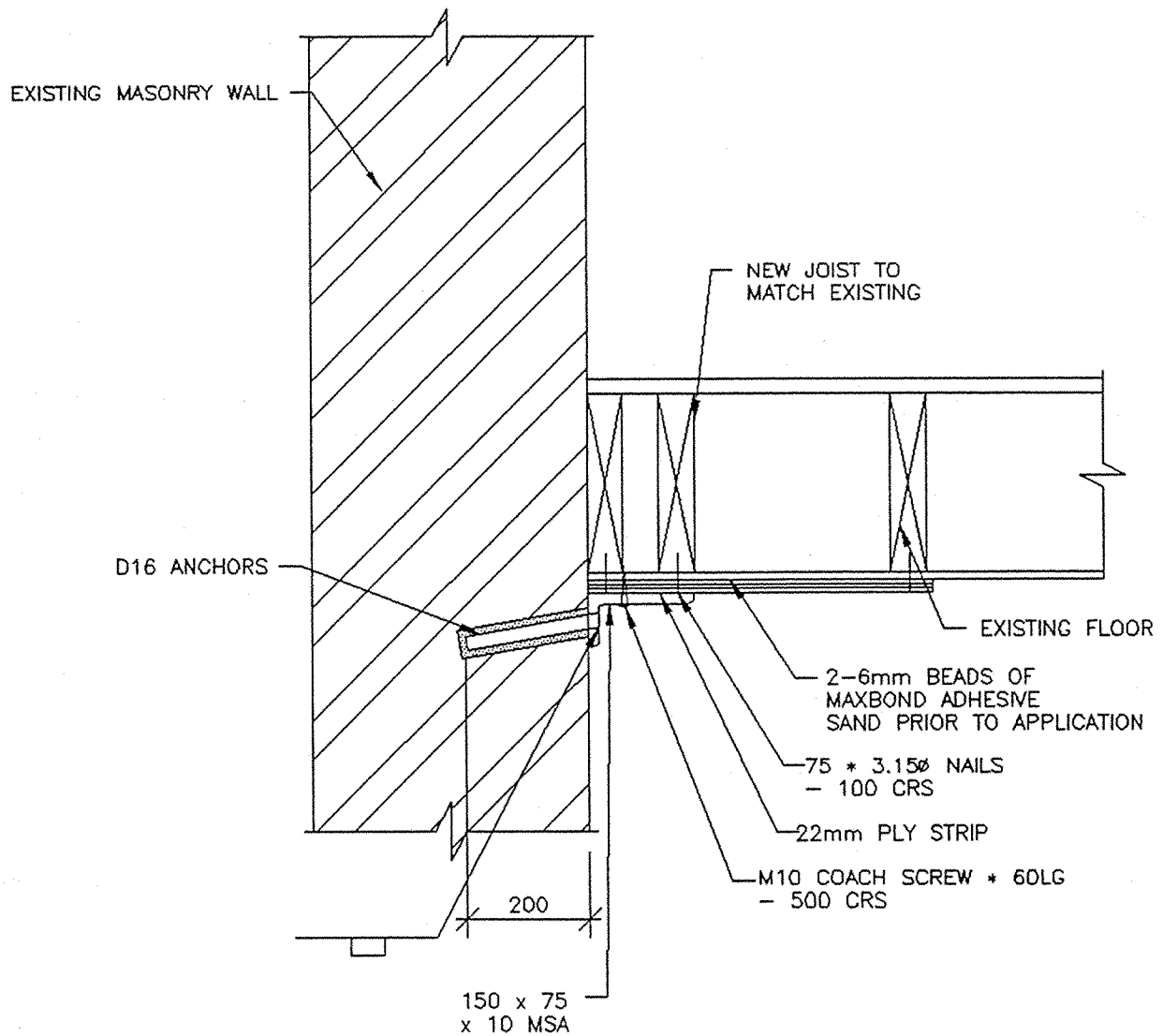


Job No.: 2767

Revision

Scale : 1:10

CAD Ref:  
2767DET



AMENDMENTS		DATE	DATE PLOTTED	This drawing referred to on Drawing(s) Nos:  S2,S7
B				
A				
First issue	CONSENT	7-10-94		

Dunning Thornton Consultants Ltd

Consulting Engineers

Phone (644) 385-0019

Fax (644) 385-0312

Box 27-153 Wellington, N.Z



DETAIL

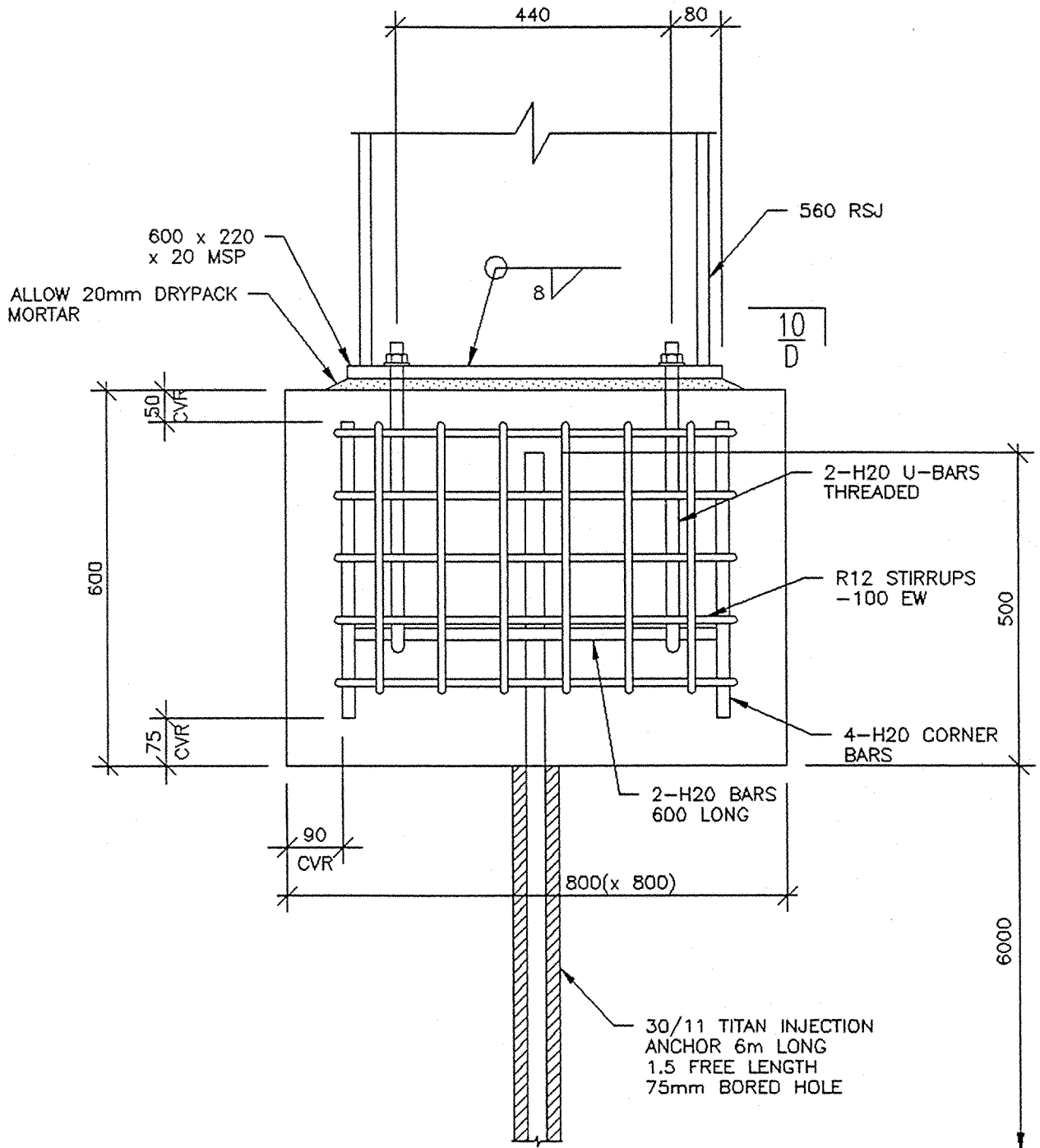


Job No.: 2767

Revision

Scale : 1:10

CAD Ref:  
2767DET



AMENDMENTS

DATE

DATE

PLOTTED

This drawing referred to on  
Drawing(s) Nos:

B

A

First issue

CONSENT

7-10-94

29-9-94

S1,S5,S8

Dunning Thornton Consultants Ltd

Consulting Engineers

Phone (644) 385-0019

Fax (644) 385-0312

Box 27-153 Wellington, N.Z



DETAIL

10  
D

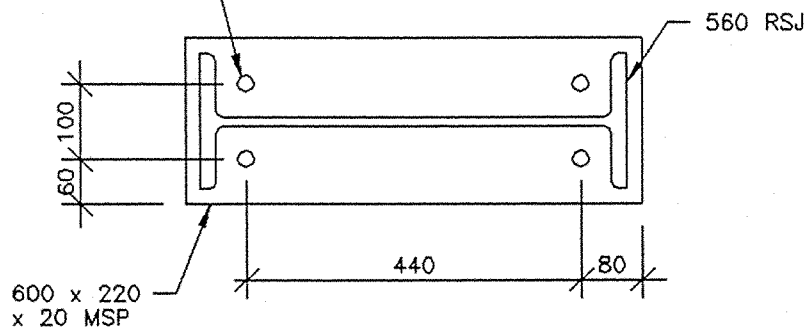
Job No.: 2767

Revision

Scale : 1:10

CAD Ref:  
2767DET

2-M20 U-BOLTS  
THREADED



AMENDMENTS

DATE

DATE  
PLOTTED

This drawing referred to on  
Drawing(s) Nos:

B

A

First issue

CONSENT

7-10-94

29-9-94

D9

Dunning Thornton Consultants Ltd

Consulting Engineers

Phone (644) 385-0019

Fax (644) 385-0312

Box 27-153 Wellington, N.Z



DETAIL

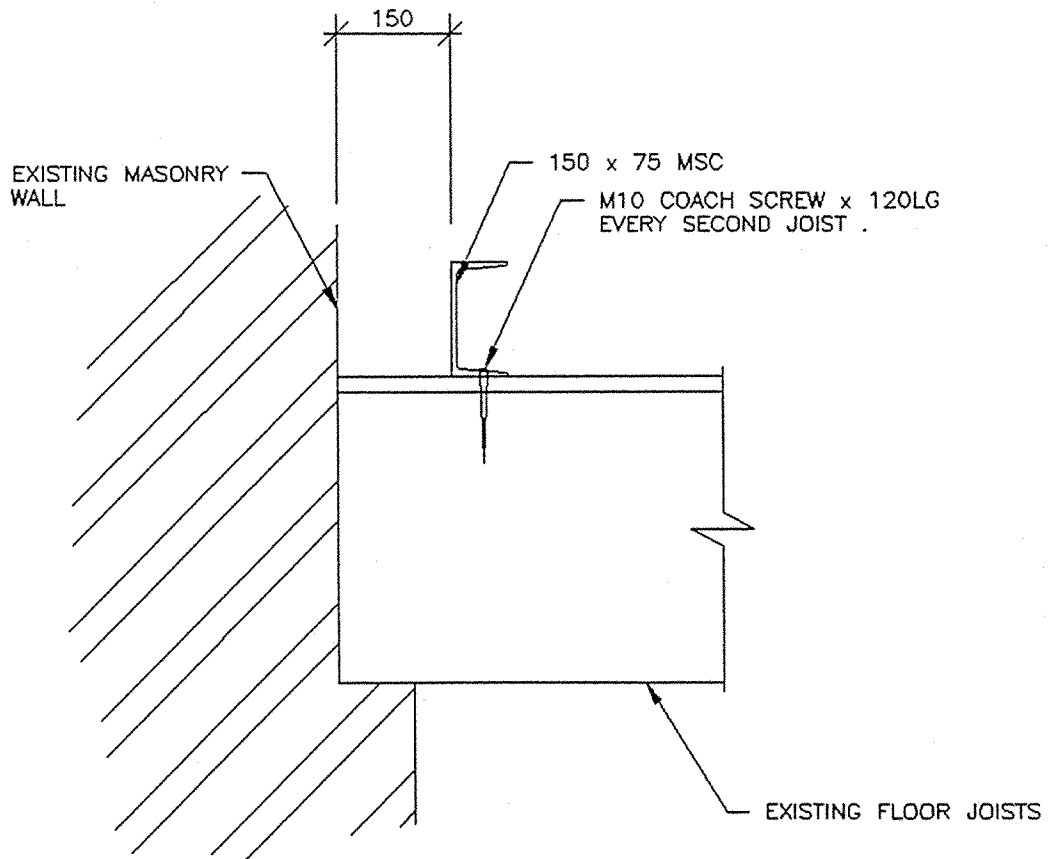
11  
D

Job No.: 2767

Revision

Scale : 1:10

CAD Ref:  
2767DET



AMENDMENTS

DATE

DATE  
PLOTTED

This drawing referred to on  
Drawing(s) Nos:

B

A

First issue

CONSENT

7-10-94

29-9-94

S3,S5,S6

Dunning Thornton Consultants Ltd

Consulting Engineers

Phone (644) 385-0019

Fax (644) 385-0312

Box 27-153 Wellington, N.Z



DETAIL

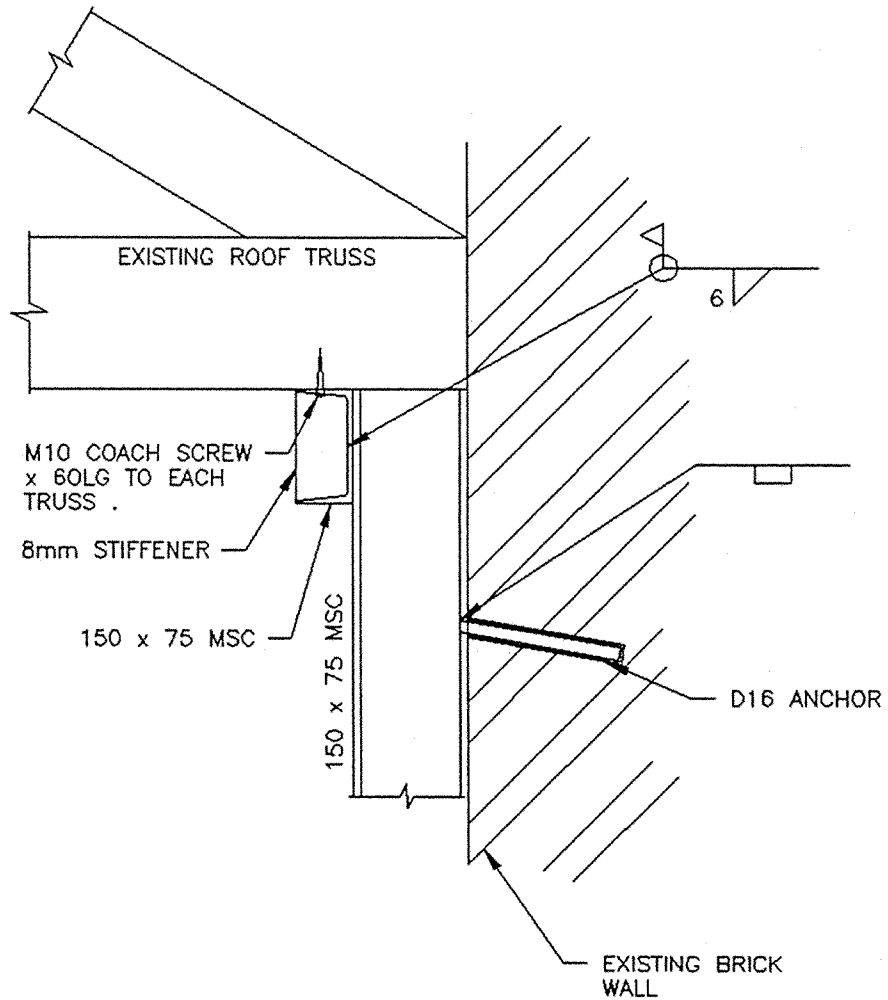
12  
D

Job No.: 2767

Revision

Scale : 1:10

CAD Ref:  
2767DET



AMENDMENTS

DATE

DATE  
PLOTTED

This drawing referred to on  
Drawing(s) Nos:

B

A

First issue

CONSENT

7-10-94

29-9-94

S4,S5,S6

Dunning Thornton Consultants Ltd

Consulting Engineers

Phone (644) 385-0019

Fax (644) 385-0312

Box 27-153 Wellington, N.Z



DETAIL

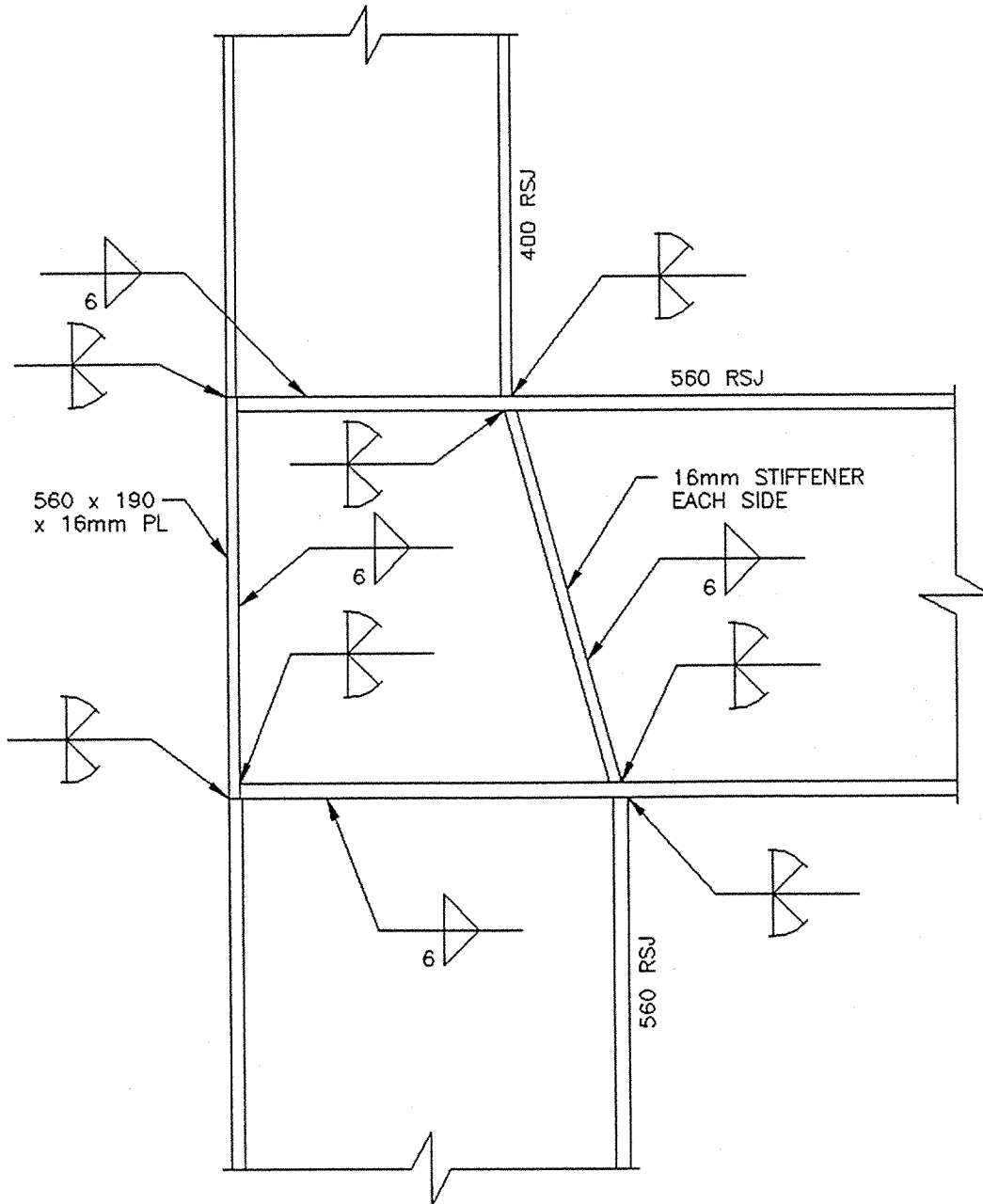
13  
D

Job No.: 2767

Revision

Scale : 1:10

CAD Ref:  
2767DET



AMENDMENTS

DATE

DATE  
PLOTTED

This drawing referred to on  
Drawing(s) Nos:

B

A

First issue

CONSENT

7-10-94

29-9-94

S8

Dunning Thornton Consultants Ltd

Consulting Engineers

Phone (644) 385-0019

Fax (644) 385-0312

Box 27-153 Wellington, N.Z



DETAIL

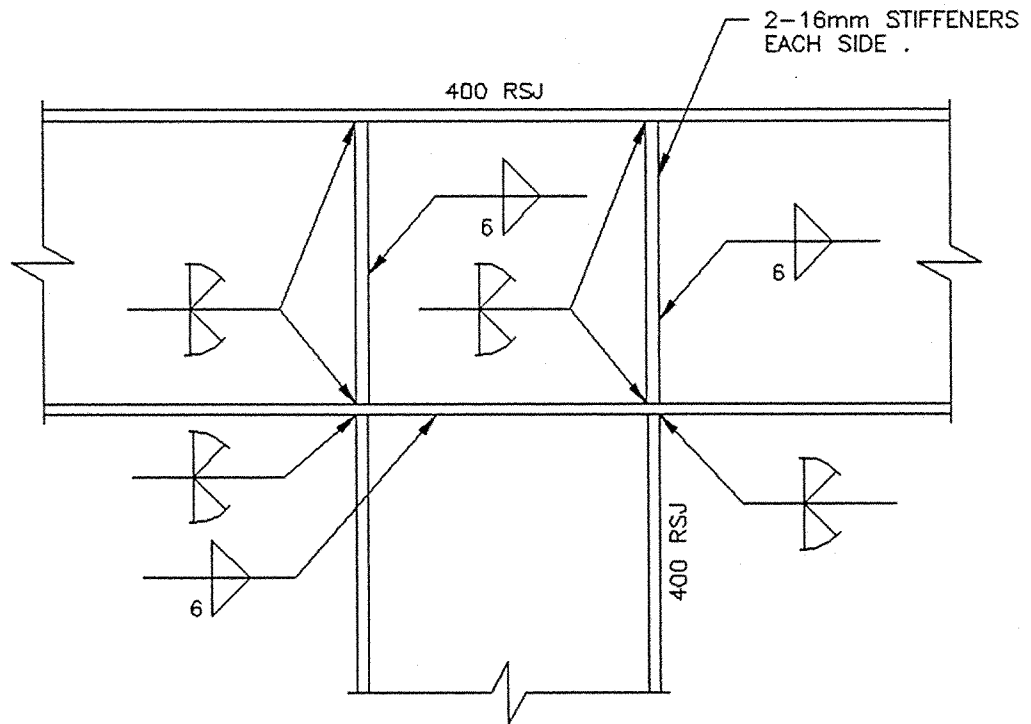
14  
D

Job No.: 2767

Revision

Scale : 1:10

CAD Ref:  
2767DET



AMENDMENTS

DATE

DATE  
PLOTTED

This drawing referred to on  
Drawing(s) Nos:

B

A

First issue

CONSENT

7-10-94

29-9-94

S8

Dunning Thornton Consultants Ltd

Consulting Engineers

Phone (644) 385-0019

Fax (644) 385-0312

Box 27-153 Wellington, N.Z



DETAIL

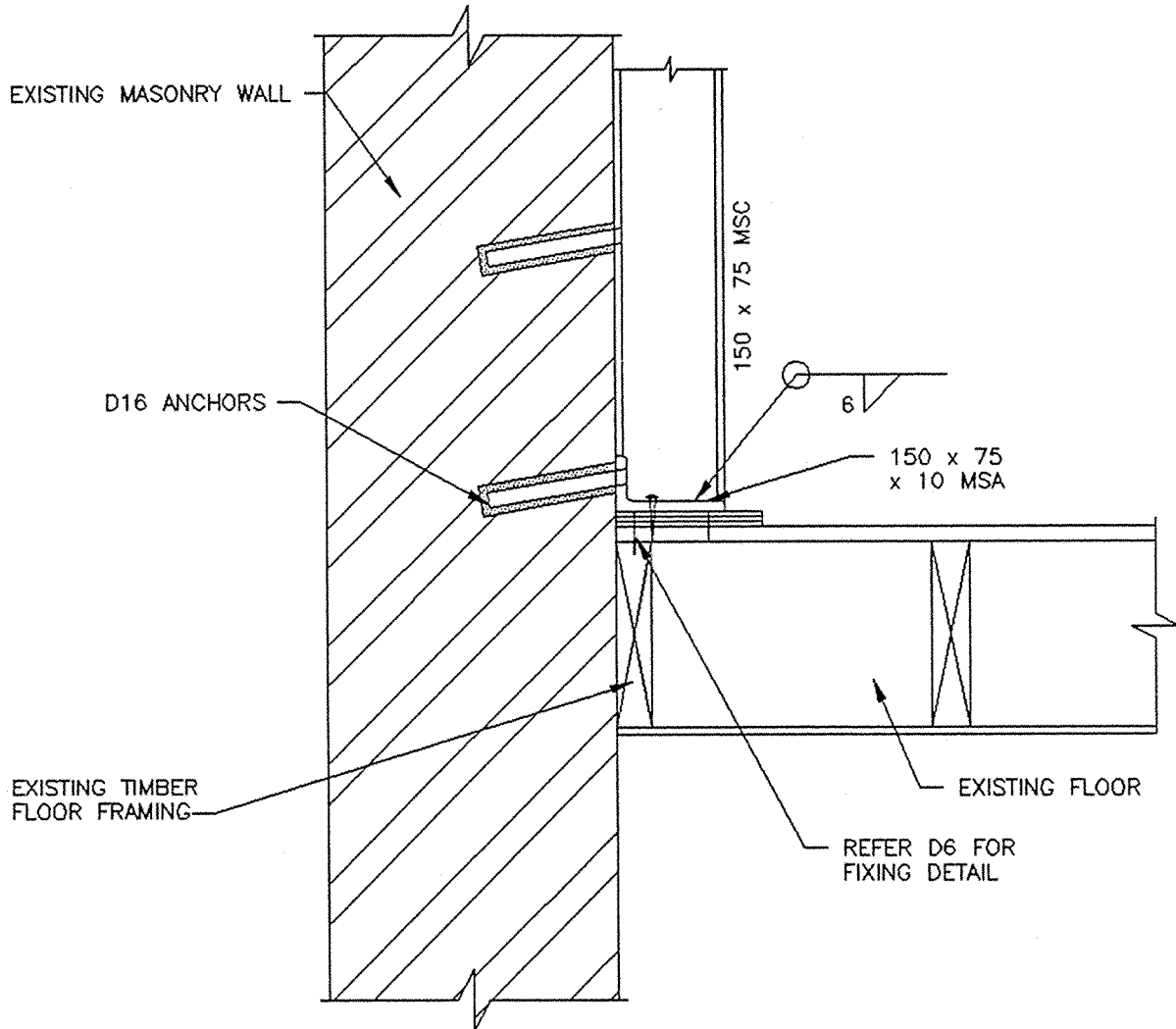
15  
D

Job No.: 2767

Revision

Scale : 1:10

CAD Ref:  
2767DET



AMENDMENTS		DATE	DATE PLOTTED	This drawing referred to on Drawing(s) Nos:
B				
A				
First issue	CONSENT	7-10-94		



Dunning Thornton Consultants Ltd

Consulting Engineers

Phone (644) 385-0019

Fax (644) 385-0312

Box 27-153 Wellington, N.Z



DETAIL

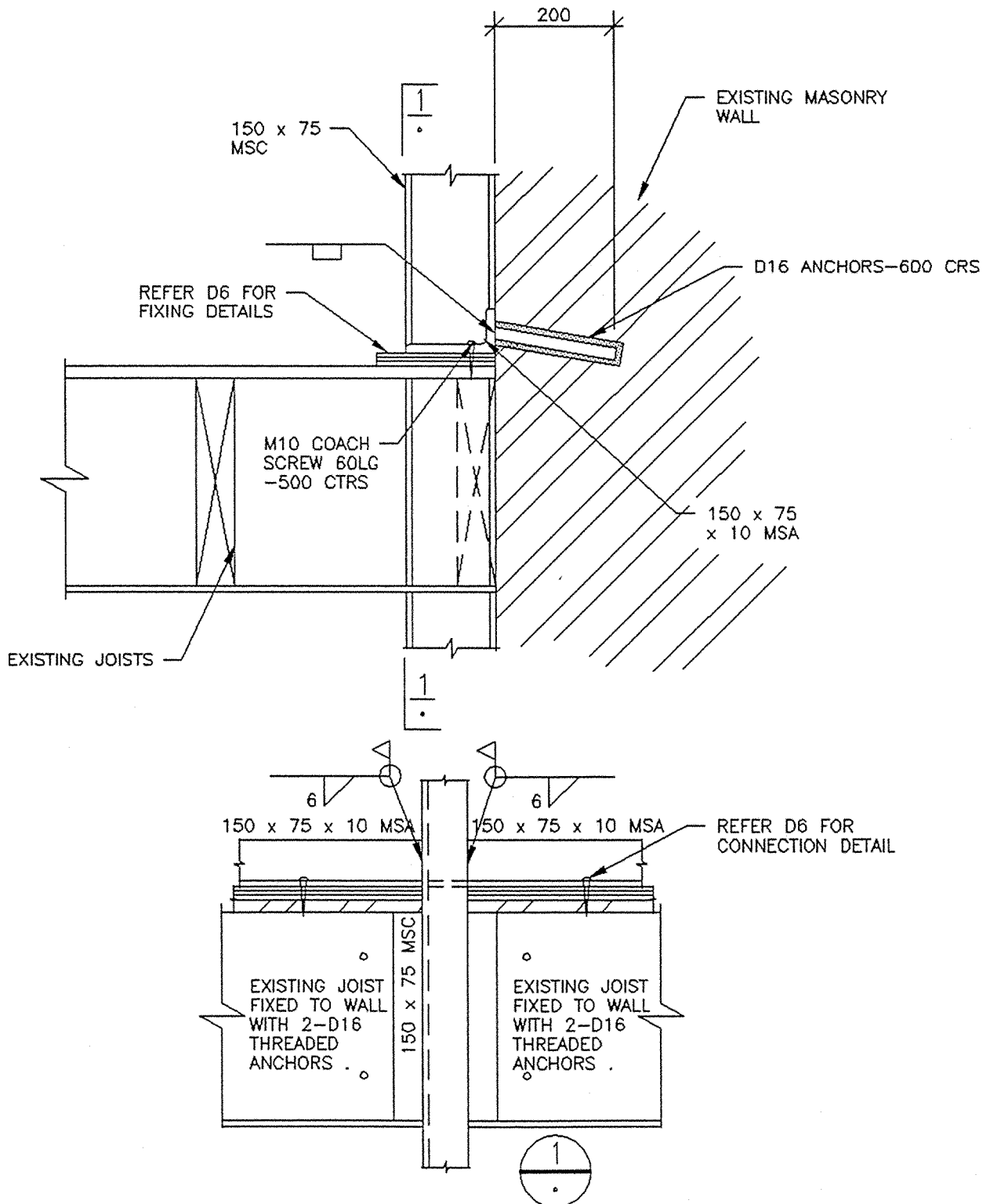
16  
D

Job No.: 2767

Revision

Scale : 1:10

CAD Ref:  
2767DET



AMENDMENTS

DATE

DATE  
PLOTTED

This drawing referred to on  
Drawing(s) Nos:

B

A

First issue

CONSENT

7-10-94

29-9-94

S3,S7

Dunning Thornton Consultants Ltd

Consulting Engineers

Phone (644) 385-0019

Fax (644) 385-0312

Box 27-153 Wellington, N.Z



DETAIL



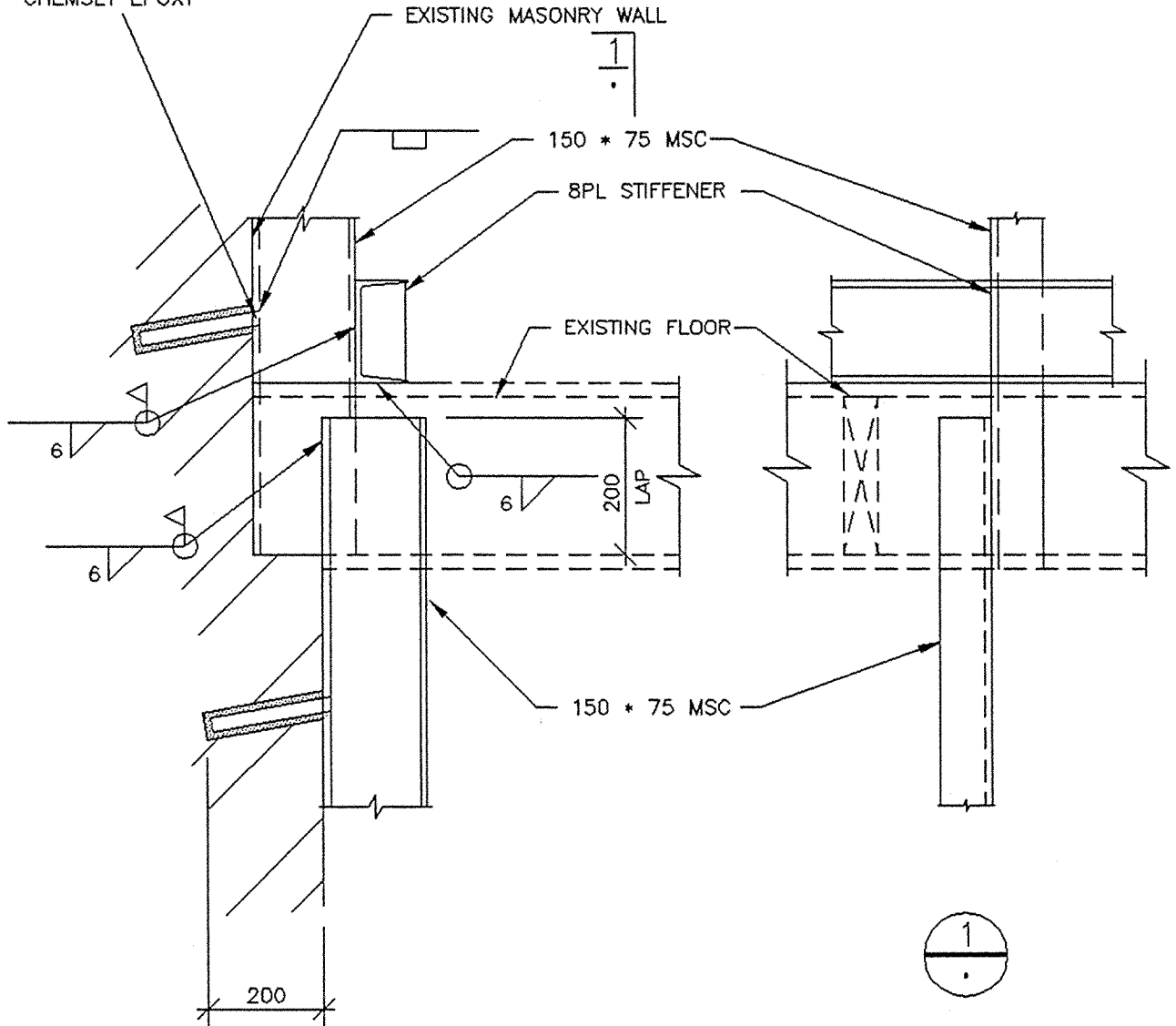
Job No.: 2767

Revision

Scale : 1:10

CAD Ref:  
2767DET

D16 ANCHORS-600 CRS  
GROUTED 200 INTO Ø20 HOLE  
AT 10° ANGLE WITH  
CHEMSET EPOXY



**NOTE:**

D16 ANCHOR DETAIL APPLIES TO ALL  
150 \* 75 MSC POSTS-600 CRS

AMENDMENTS		DATE	DATE PLOTTED	This drawing referred to on Drawing(s) Nos:
B				
A				
First issue	CONSENT	7-10-94	30-9-94	S3,S5,S6

Dunning Thornton Consultants Ltd

Consulting Engineers

Phone (644) 385-0019

Fax (644) 385-0312

Box 27-153 Wellington, N.Z



DETAIL

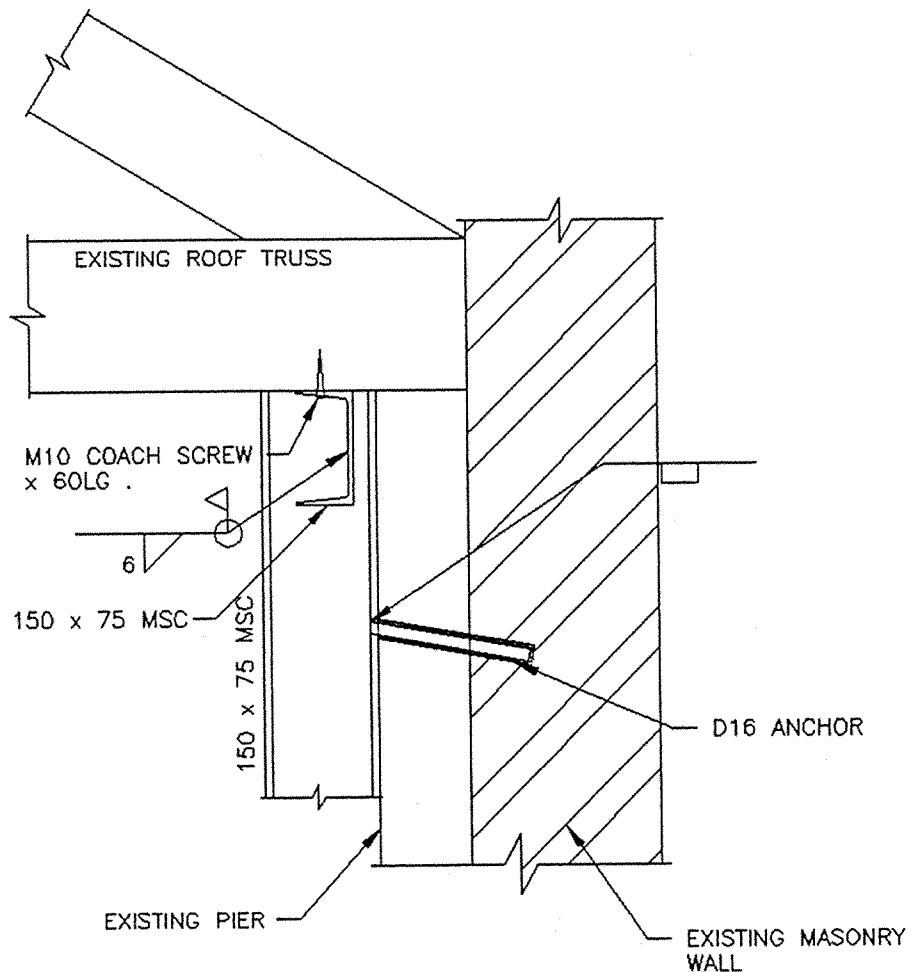
18  
D

Job No.: 2767

Revision

Scale : 1:10

CAD Ref:  
2767DET



AMENDMENTS		DATE	DATE PLOTTED	This drawing referred to on Drawing(s) Nos:
B				
A				
First issue	CONSENT	7-10-94		

Dunning Thornton Consultants Ltd

Consulting Engineers

Phone (644) 385-0019

Fax (644) 385-0312

Box 27-153 Wellington, N.Z



DETAIL

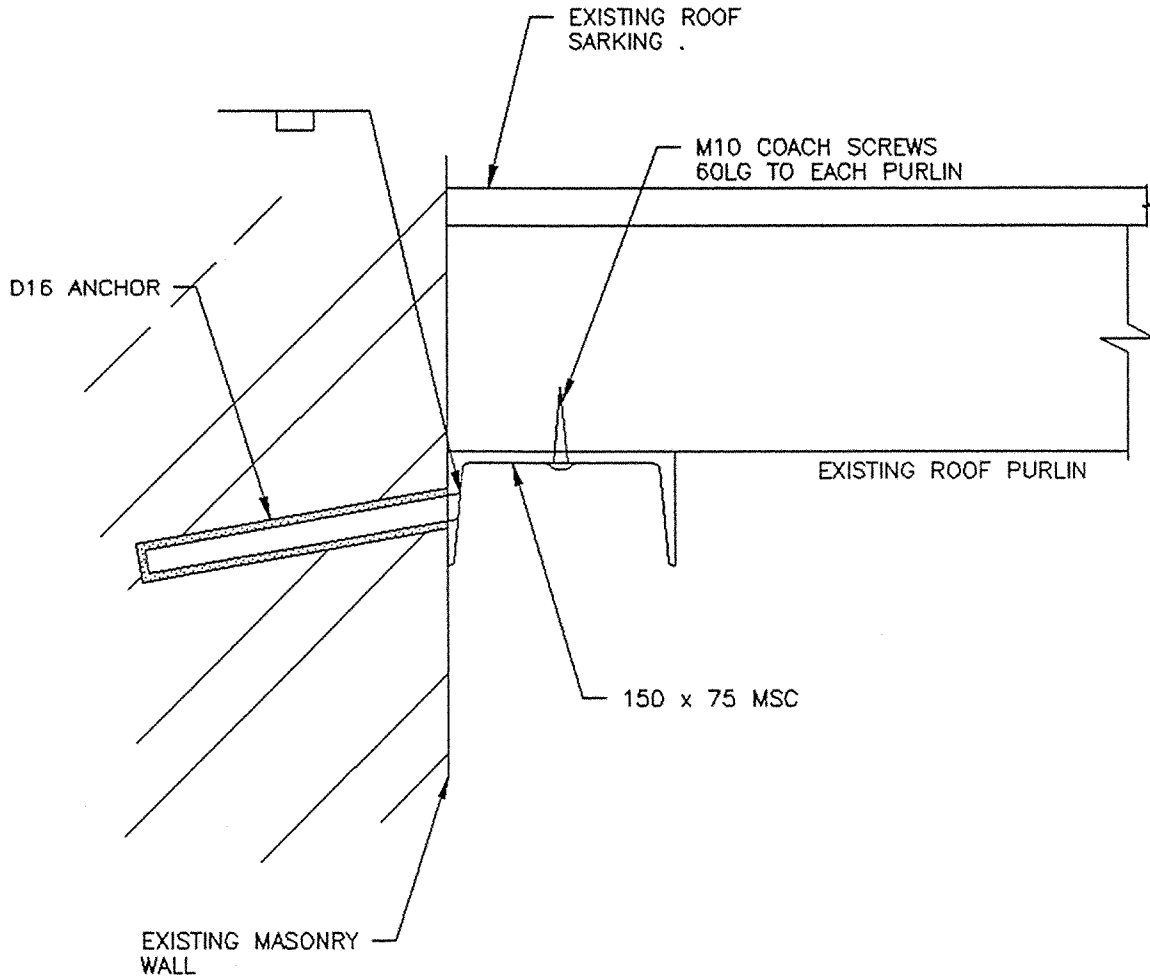
19  
D

Job No.: 2767

Revision

Scale : 1:5

CAD Ref:  
2767DET



AMENDMENTS		DATE	DATE PLOTTED	This drawing referred to on Drawing(s) Nos:
B				
A				
First issue	CONSENT	7-10-94		

Dunning Thornton Consultants Ltd

Consulting Engineers

Phone (644) 385-0019

Fax (644) 385-0312

Box 27-153 Wellington, N.Z



DETAIL

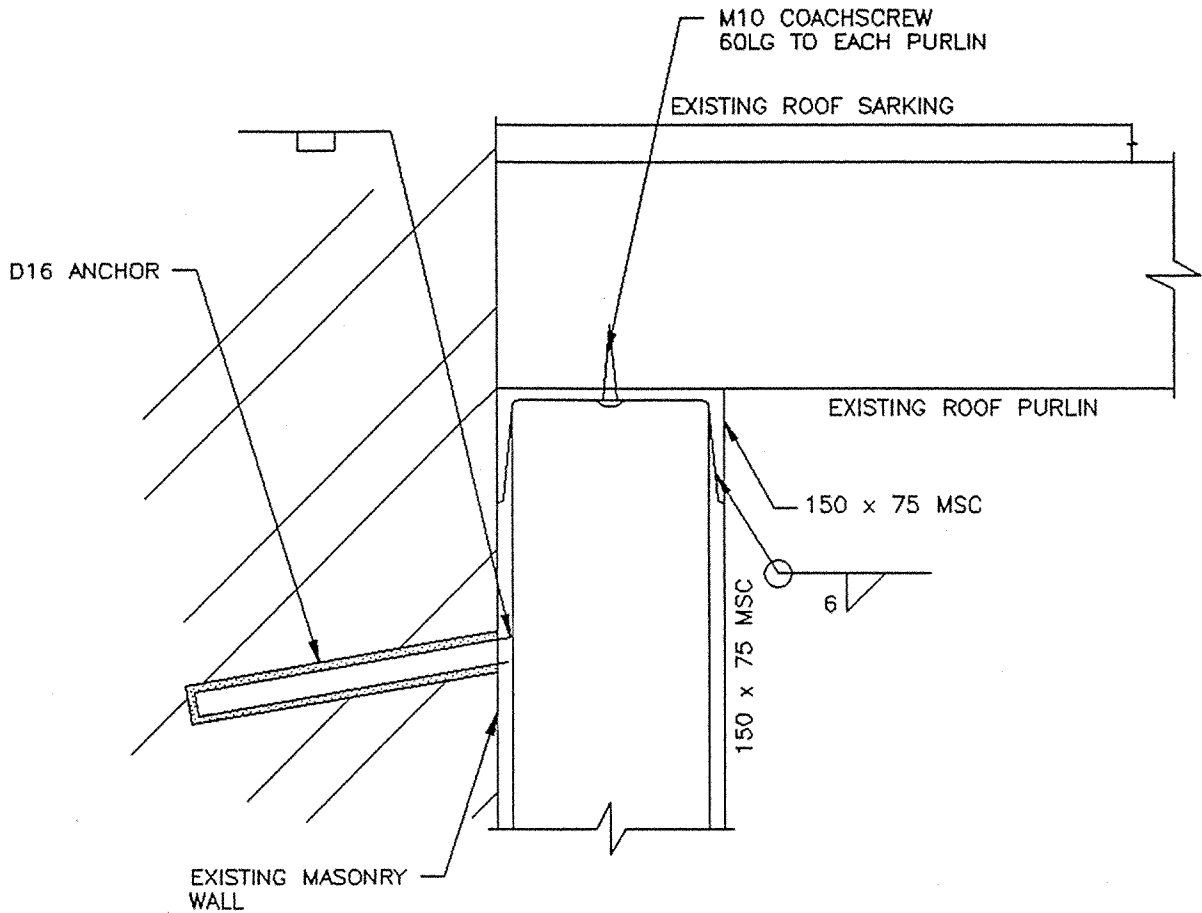


Job No.: 2767

Revision

Scale : 1:5

CAD Ref:  
2767DET



AMENDMENTS

DATE

DATE  
PLOTTED

This drawing referred to on  
Drawing(s) Nos:

B

A

First issue

CONSENT

7-10-94

30-9-94

S7

Dunning Thornton Consultants Ltd

Consulting Engineers

Phone (644) 385-0019

Fax (644) 385-0312

Box 27-153 Wellington, N.Z



DETAIL

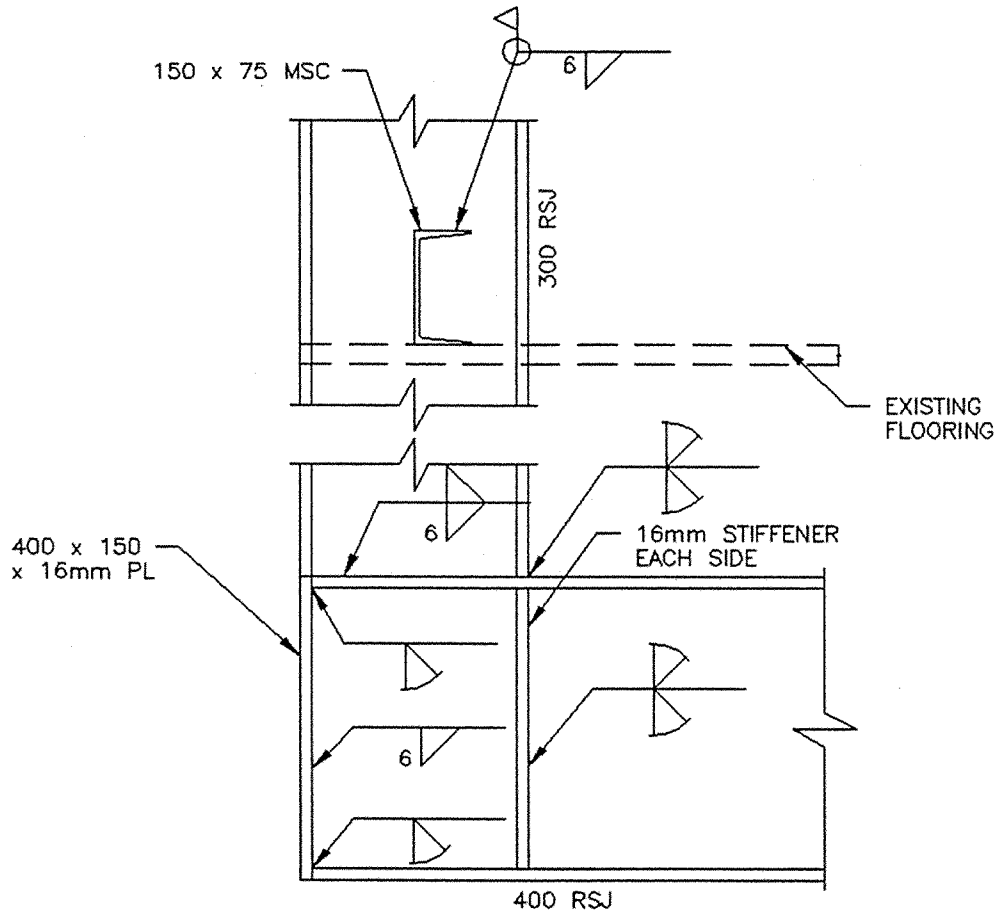
21  
D

Job No.: 2767

Revision

Scale : 1:10

CAD Ref:  
2767DET



AMENDMENTS		DATE	DATE PLOTTED	This drawing referred to on Drawing(s) Nos:  S8
B				
A				
First issue	CONSENT	7-10-94	30-9-94	

Dunning Thornton Consultants Ltd

Consulting Engineers

Phone (644) 385-0019

Fax (644) 385-0312

Box 27-153 Wellington, N.Z



DETAIL

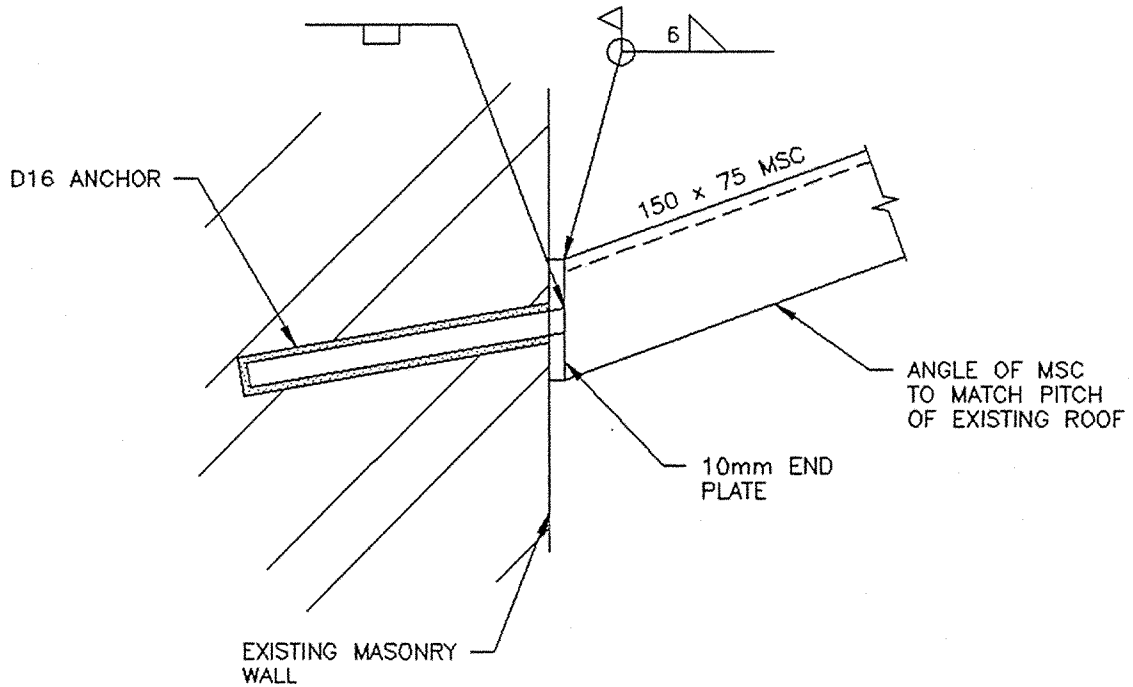
22  
D

Job No.: 2767

Revision

Scale : 1:5

CAD Ref:  
2767DET



AMENDMENTS

DATE

DATE  
PLOTTED

This drawing referred to on  
Drawing(s) Nos:

B

A

First issue

CONSENT

7-10-94

30-9-94

S7

Dunning Thornton Consultants Ltd

Consulting Engineers

Phone (644) 385-0019

Fax (644) 385-0312

Box 27-153 Wellington, N.Z



DETAIL

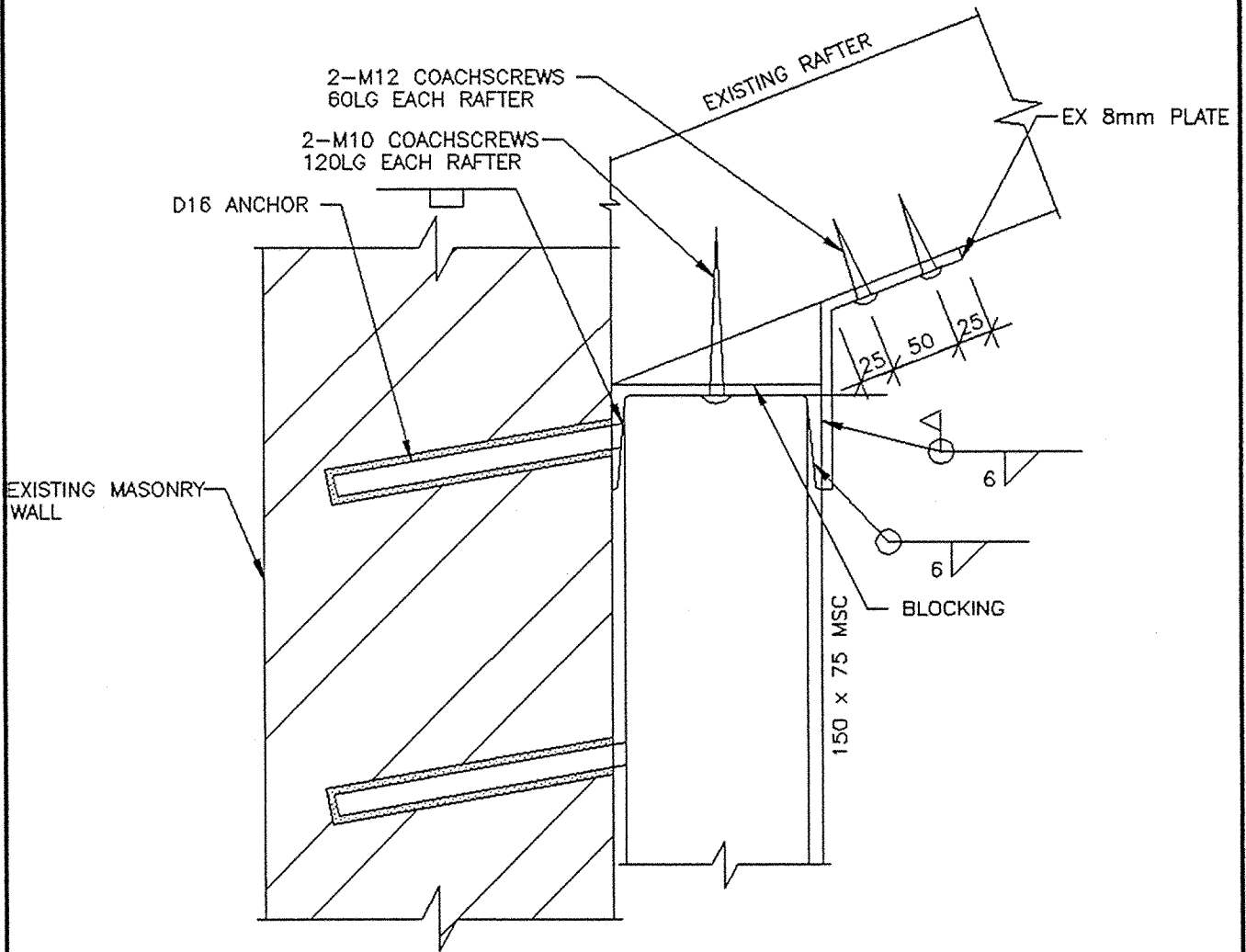
23  
D

Job No.: 2767

Revision

Scale : 1:5

CAD Ref:  
2767DET



AMENDMENTS

DATE

DATE  
PLOTTED

This drawing referred to on  
Drawing(s) Nos:

B

A

First issue

CONSENT

7-10-94

30-9-94

S4,S7



Dunning Thornton Consultants Ltd

Consulting Engineers

Phone (644) 385-0019

Fax (644) 385-0312

Box 27-153 Wellington, N.Z



DETAIL

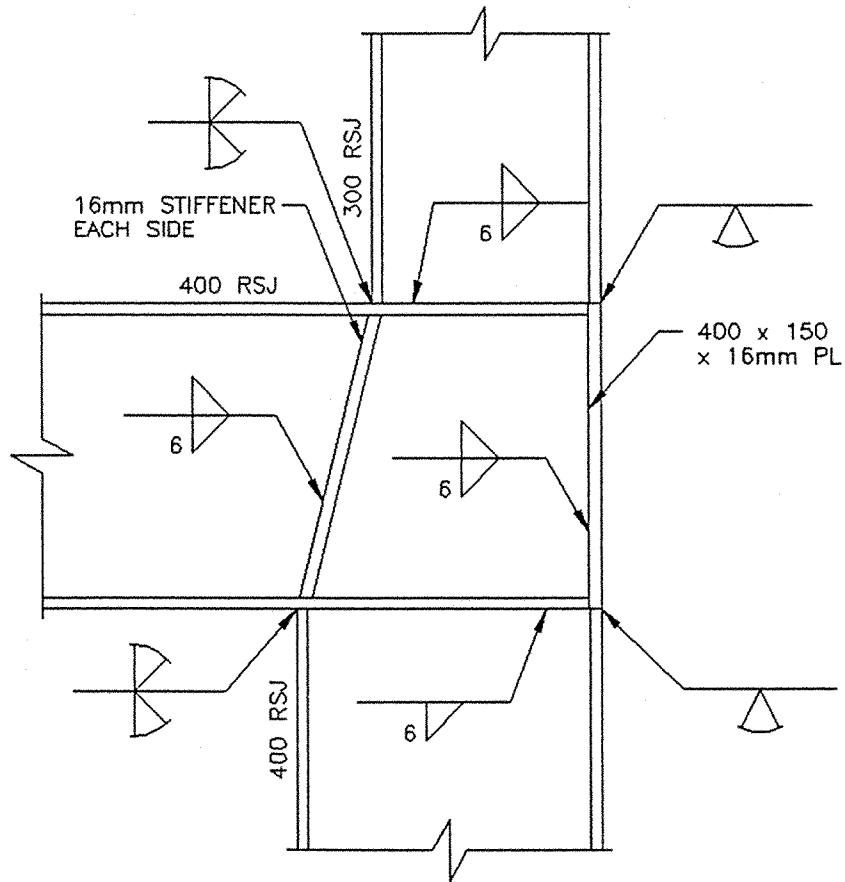
24  
D

Job No.: 2767

Revision

Scale : 1:10

CAD Ref:  
2767DET



AMENDMENTS

DATE

DATE  
PLOTTED

This drawing referred to on  
Drawing(s) Nos:

B

A

First issue

CONSENT

7-10-94

30-9-94

S8

Dunning Thornton Cons

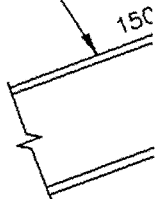
Consulting Engineers

Phone (644) 385-0019

Fax (644) 385-0312

Box 27-153 Wellington, N.Z

PITCH OF UB  
TO MATCH PITCH  
OF EXISTING ROOF



Dunning Thornton Consultants Ltd

Consulting Engineers

Phone (644) 385-0019

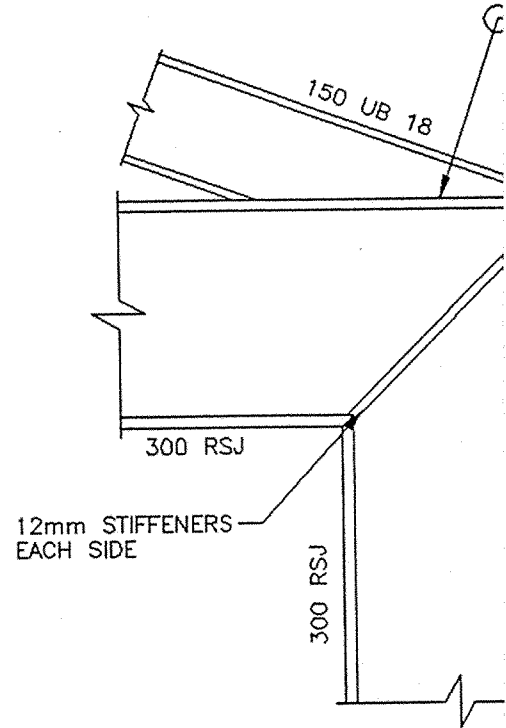
Fax (644) 385-0312

Box 27-153 Wellington, N.Z



Job M

Scale



AMENDMENTS

B

A

First issue

CONSENT

7

AMENDMENTS

DATE

DATE  
PLOTTED

B

A

First issue

CONSENT

7-10-94

3-10-94

Dunning Thornton Consultants Ltd

Consulting Engineers

Phone (644) 385-0019

Fax (644) 385-0312

Box 27-153 Wellington, N.Z



DETAIL

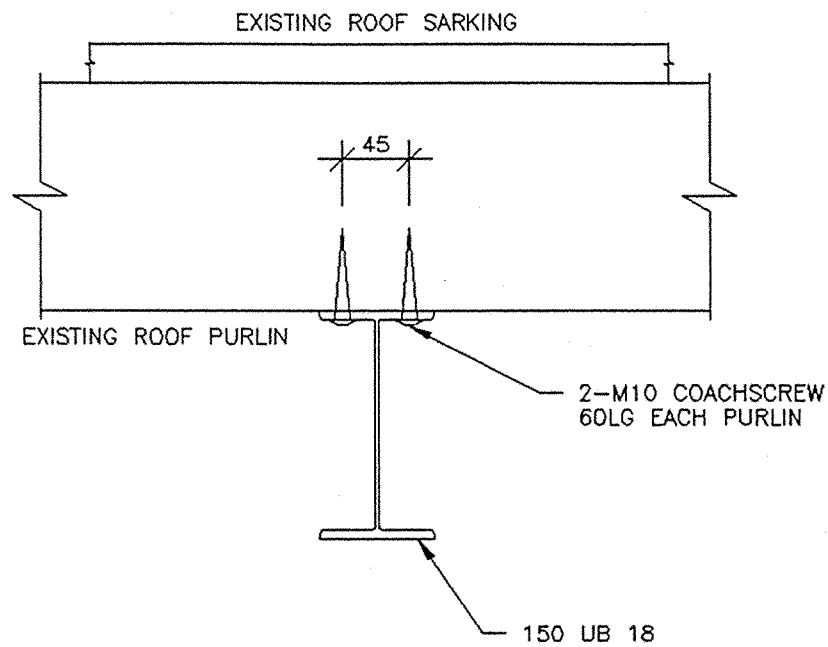
27  
D

Job No.: 2767

Revision

Scale : 1:5

CAD Ref:  
2767DET



AMENDMENTS

DATE

DATE  
PLOTTED

This drawing referred to on  
Drawing(s) Nos:

B

A

First issue

CONSENT

7-10-94

10-10-94

S8

Dunning Thornton Consultants Ltd

Consulting Engineers

Phone (644) 385-0019

Fax (644) 385-0312

Box 27-153 Wellington, N.Z



DETAIL

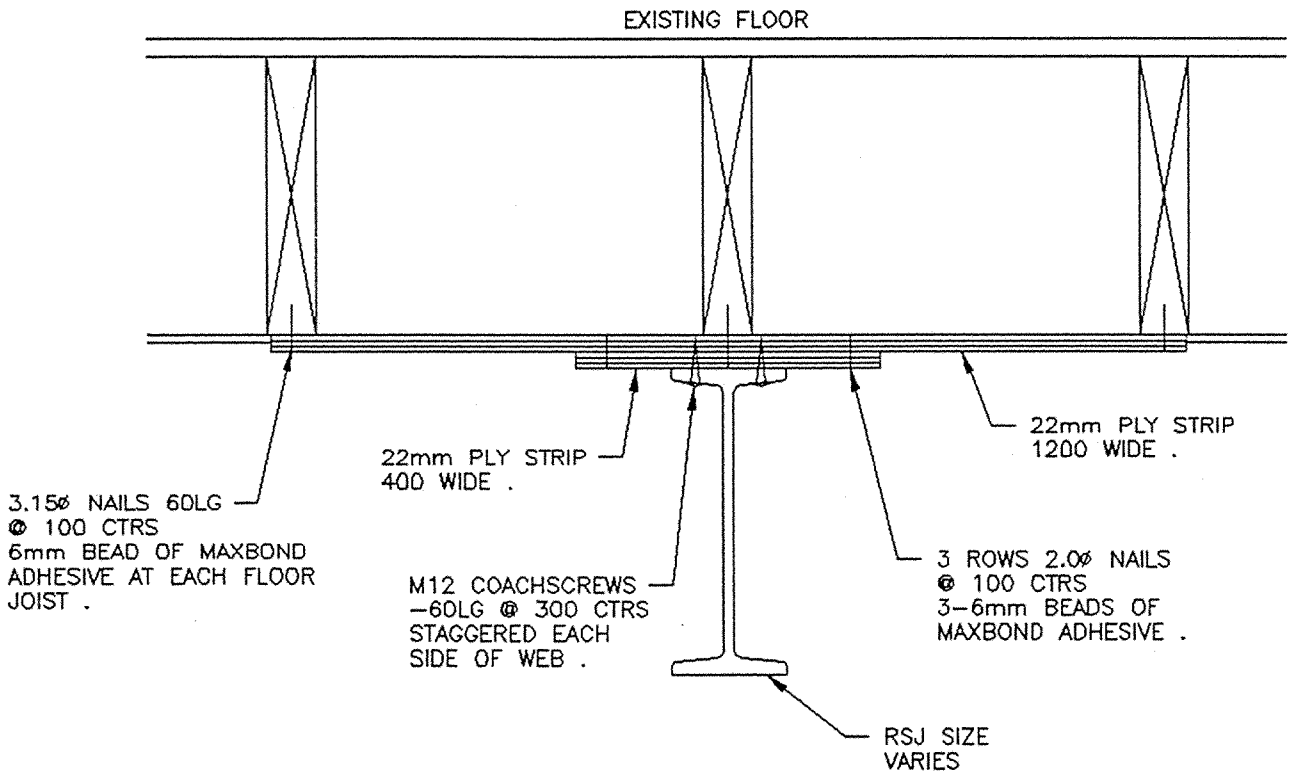
28  
D

Job No.: 2767

Revision

Scale : 1:10

CAD Ref:  
2767DET



AMENDMENTS		DATE	DATE PLOTTED	This drawing referred to on Drawing(s) Nos:
B				
A				
First issue	CONSENT	7-10-94		

Dunning Thornton Consultants Ltd

Consulting Engineers

Phone (644) 385-0019

Fax (644) 385-0312

Box 27-153 Wellington, N.Z



DETAIL

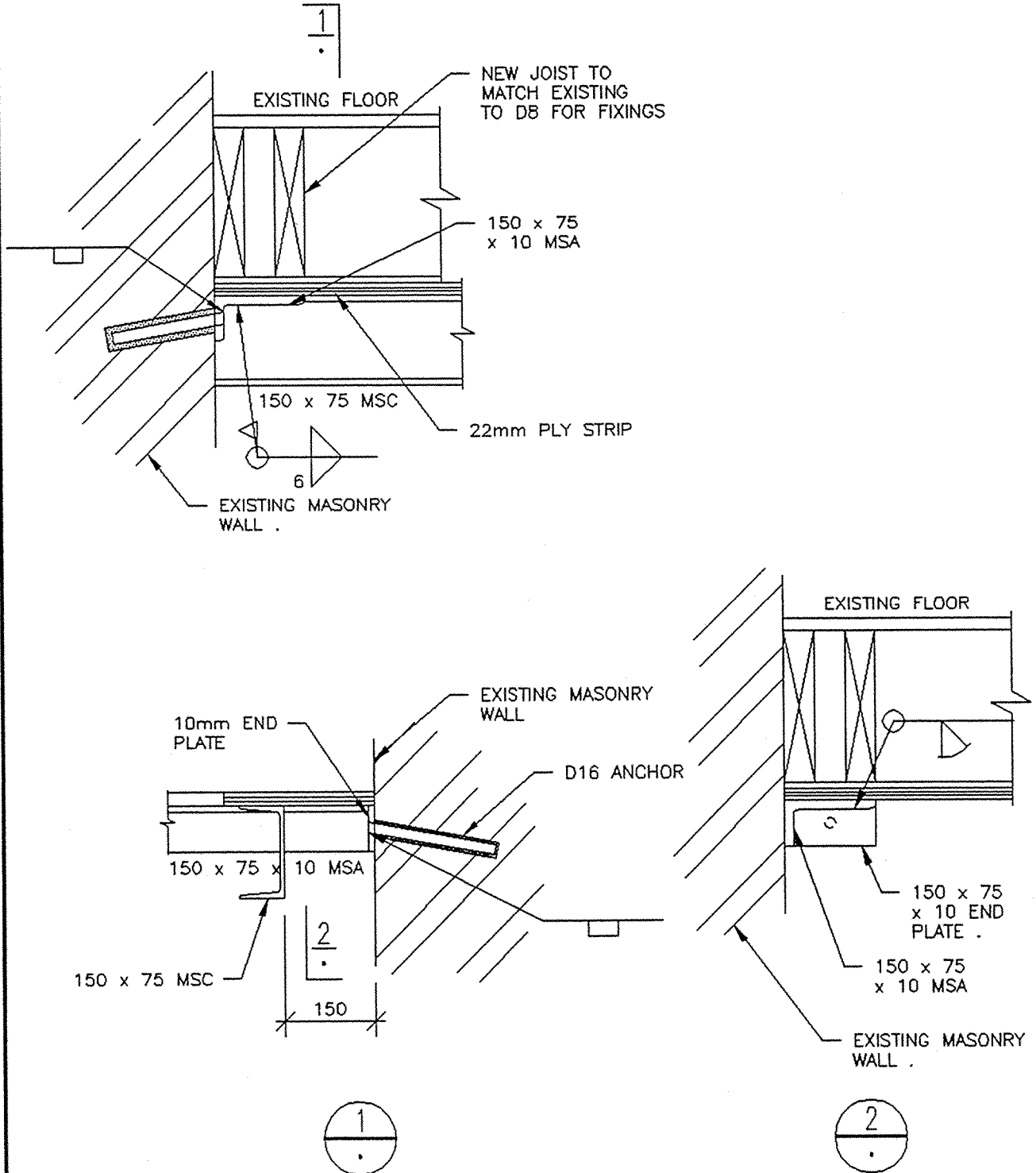
29  
D

Job No.: 2767

Revision

Scale : 1:10

CAD Ref:  
2767DET



AMENDMENTS		DATE	DATE PLOTTED	This drawing referred to on Drawing(s) Nos:
B				
A				
First issue	CONSENT	7-10-94		

Dunning Thornton Consultants Ltd

Consulting Engineers

Phone (644) 385-0019

Fax (644) 385-0312

Box 27-153 Wellington, N.Z



DETAIL

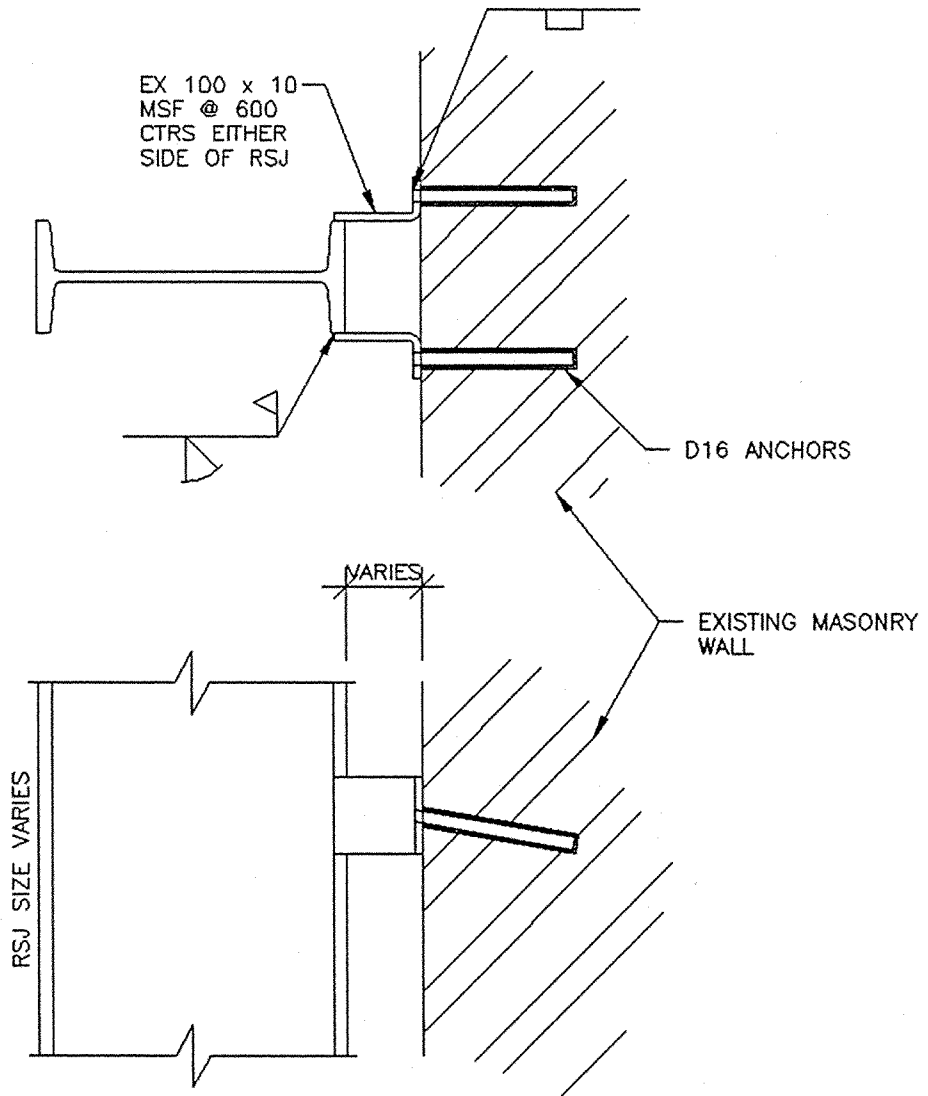
30  
D

Job No.: 2767

Revision

Scale : 1:10

CAD Ref:  
2767DET



AMENDMENTS

DATE

DATE  
PLOTTED

This drawing referred to on  
Drawing(s) Nos:

B

A

First issue

CONSENT

7-10-94

10-10-94

S8

Dunning Thornton Consultants Ltd

Consulting Engineers

Phone (644) 385-0019

Fax (644) 385-0312

Box 27-153 Wellington, N.Z



DETAIL

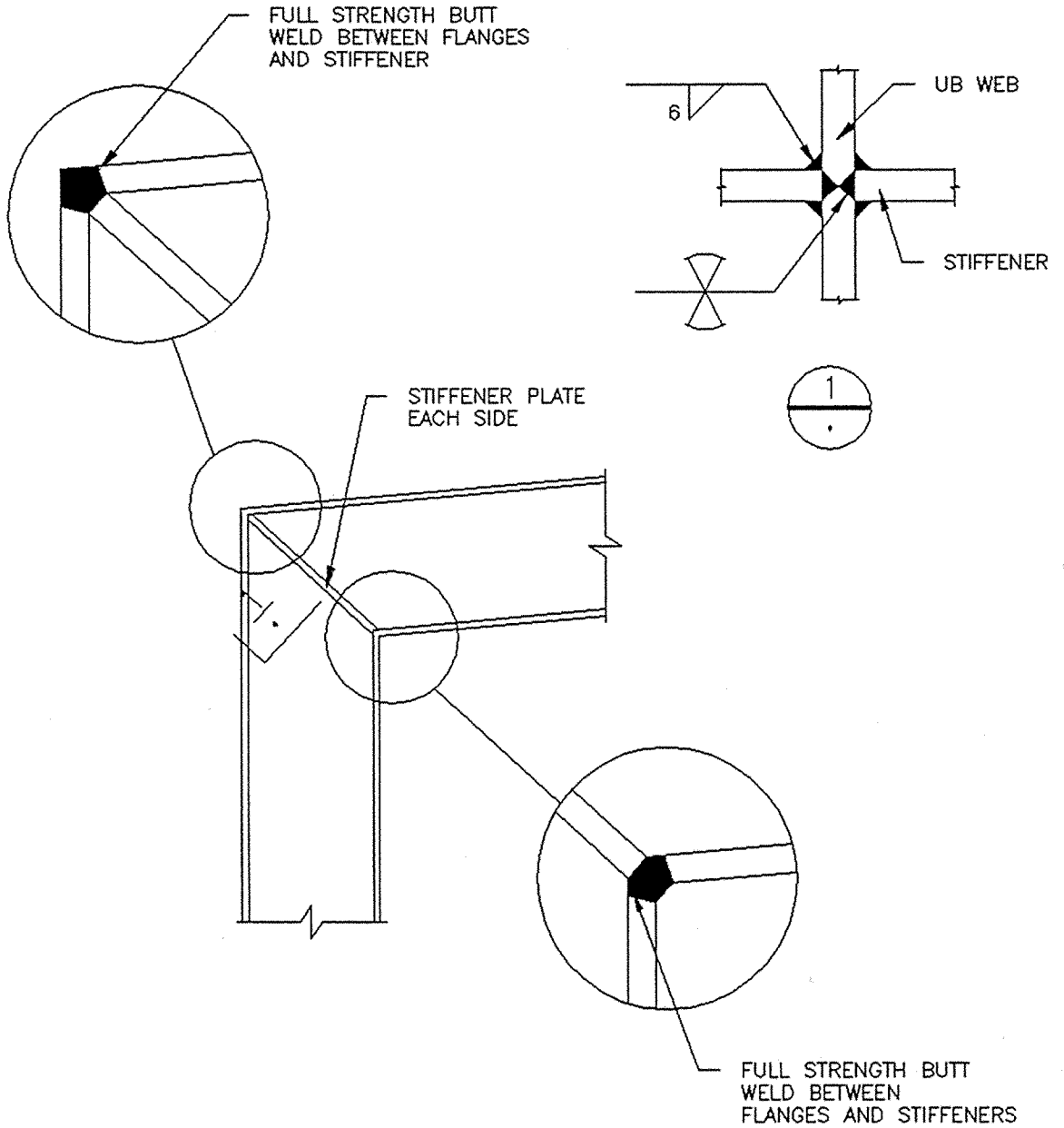
31  
D

Job No.: 2767

Revision

Scale : 1:10

CAD Ref:  
2767DET



STANDARD PORTAL KNEE JOINT

AMENDMENTS		DATE	DATE PLOTTED	This drawing referred to on Drawing(s) Nos:
B				
A				
First issue	CONSENT	7-10-94		