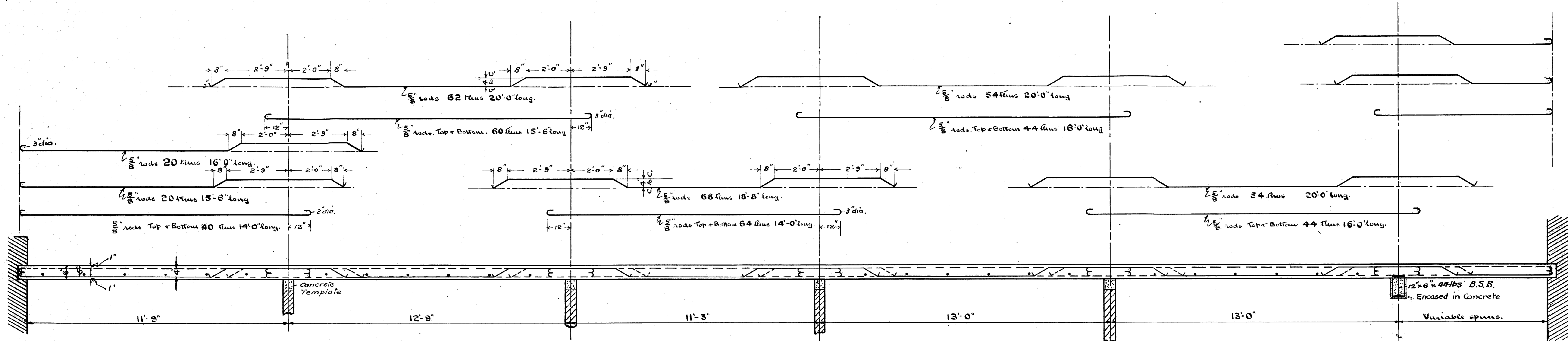


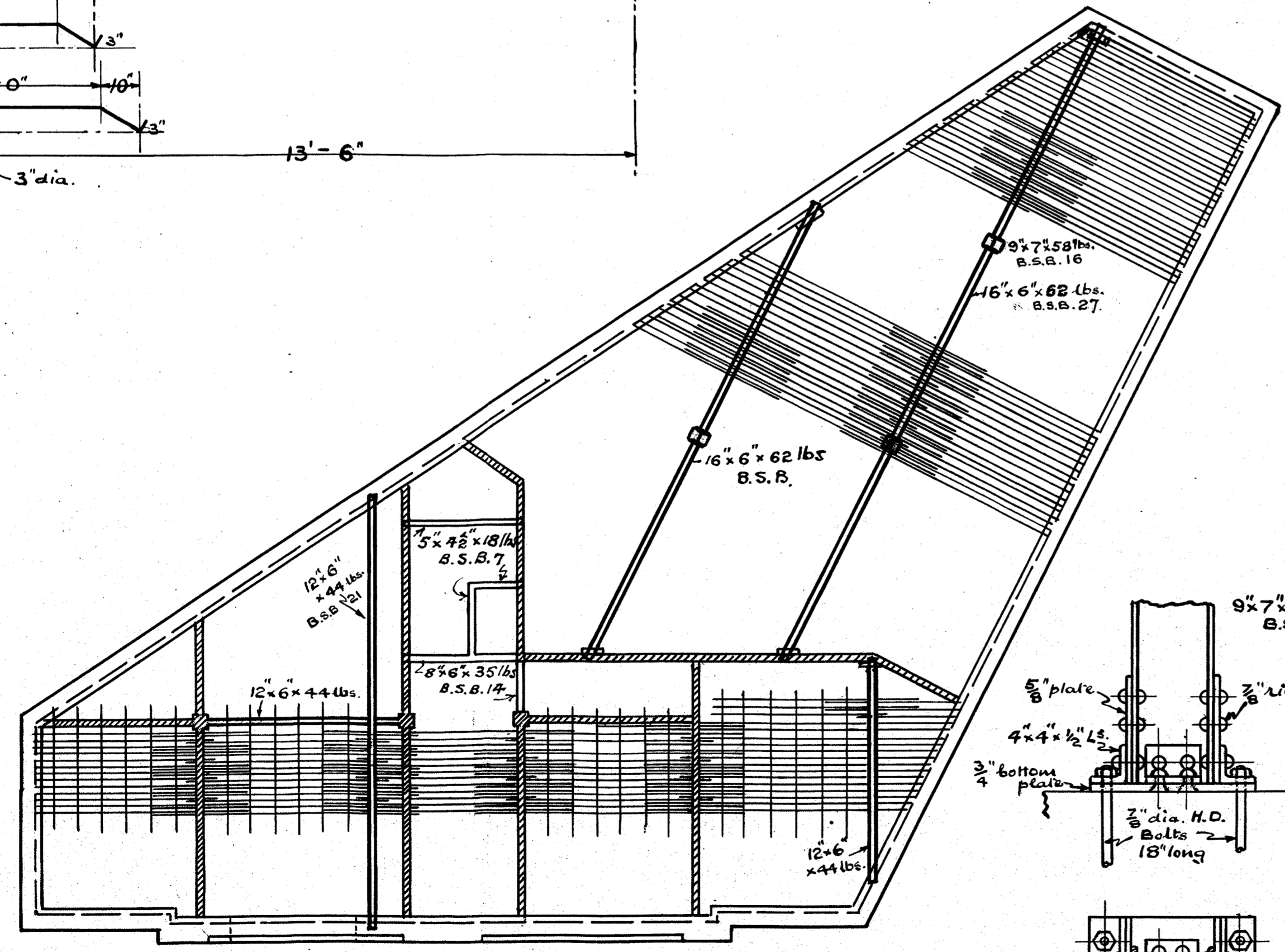
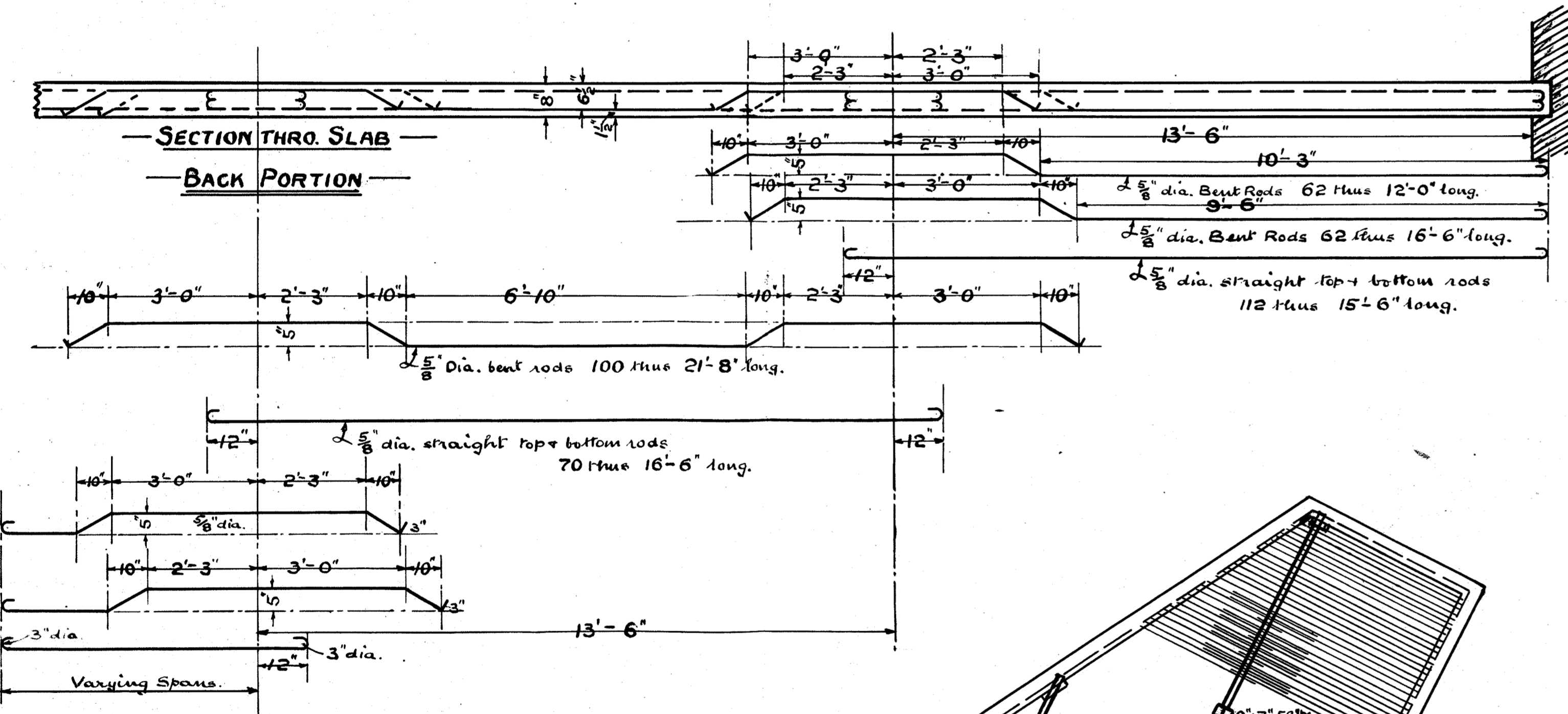
*Amended by
W.H.B.
Apr. 1926*

— **W. H. B.** —
— **KING'S WHARF OFFICES** —
— **SHEET No 1** —
— **Scale: 1/8 inch to 1 foot** —

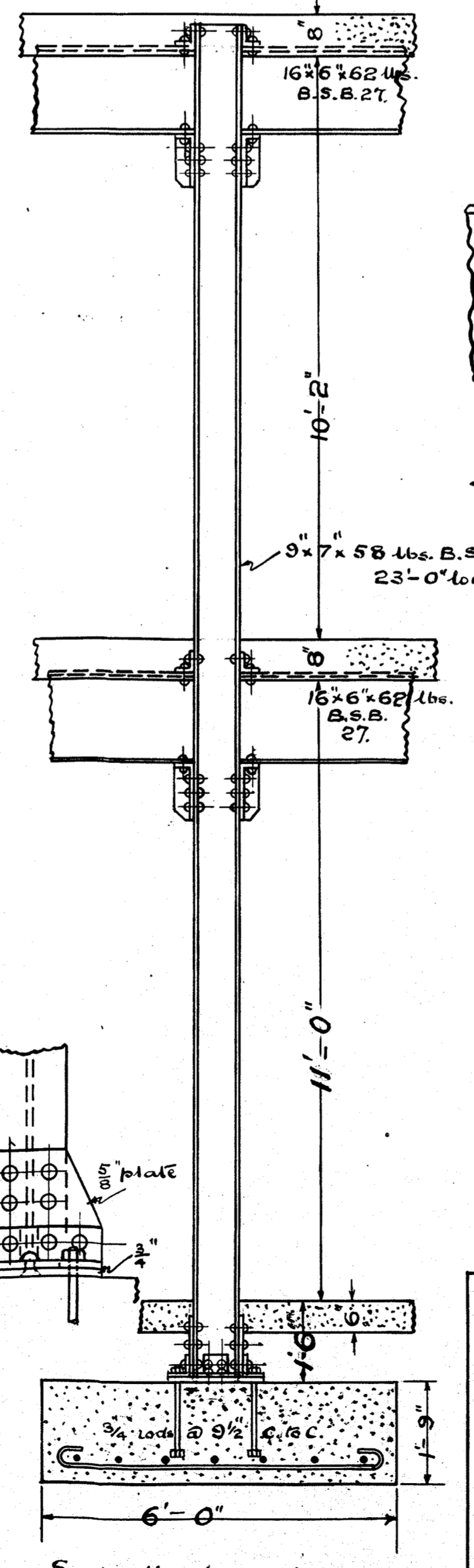
8011 0N'1



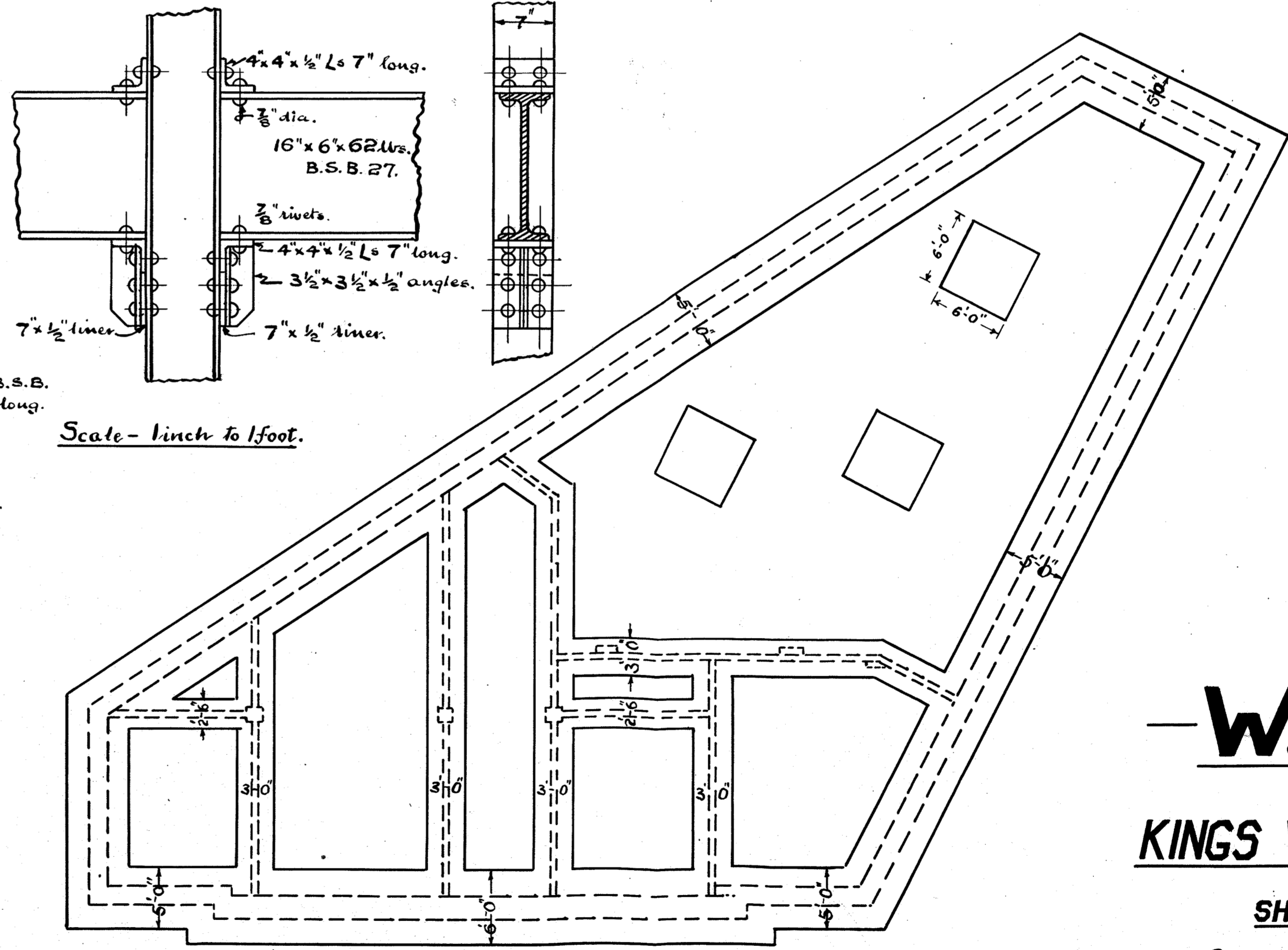
Scale - Half Inch to 1 foot.



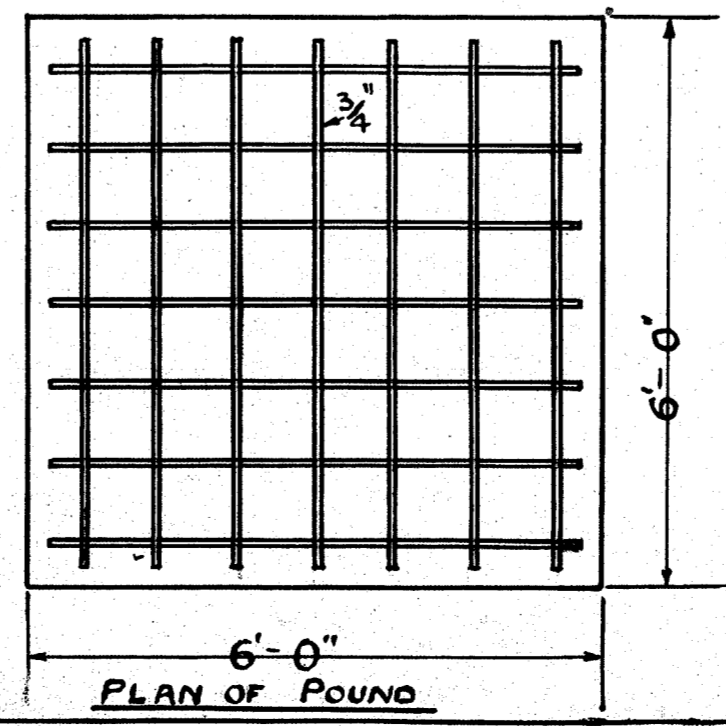
PLAN OF FLOORS SHOWING REINFORCING RODS ASSEMBLED



Scale - Half Inch to 1 foot.



Scale - 1 inch to 1 foot.



PLAN OF PILING

J. Marshall
 Engineer
 Nov. 1926

W. H. B.
KINGS WHARF OFFICES

SHEET No 2
 Scale - 8 ft. to 1 inch.

T. No 1108

Drawn by J.B. Cromb } 15-11-26.
 Traced by A.P. Haigh.