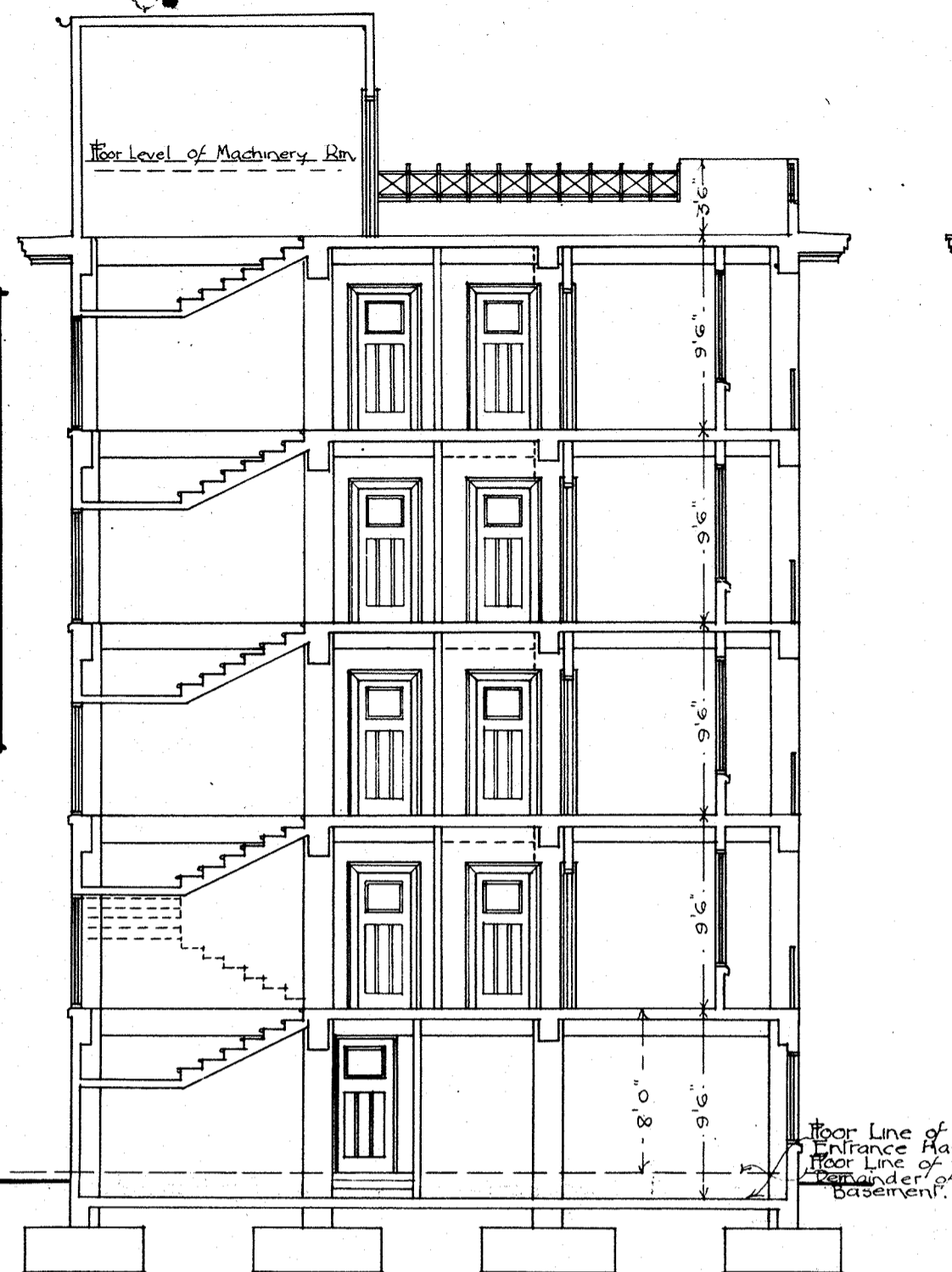


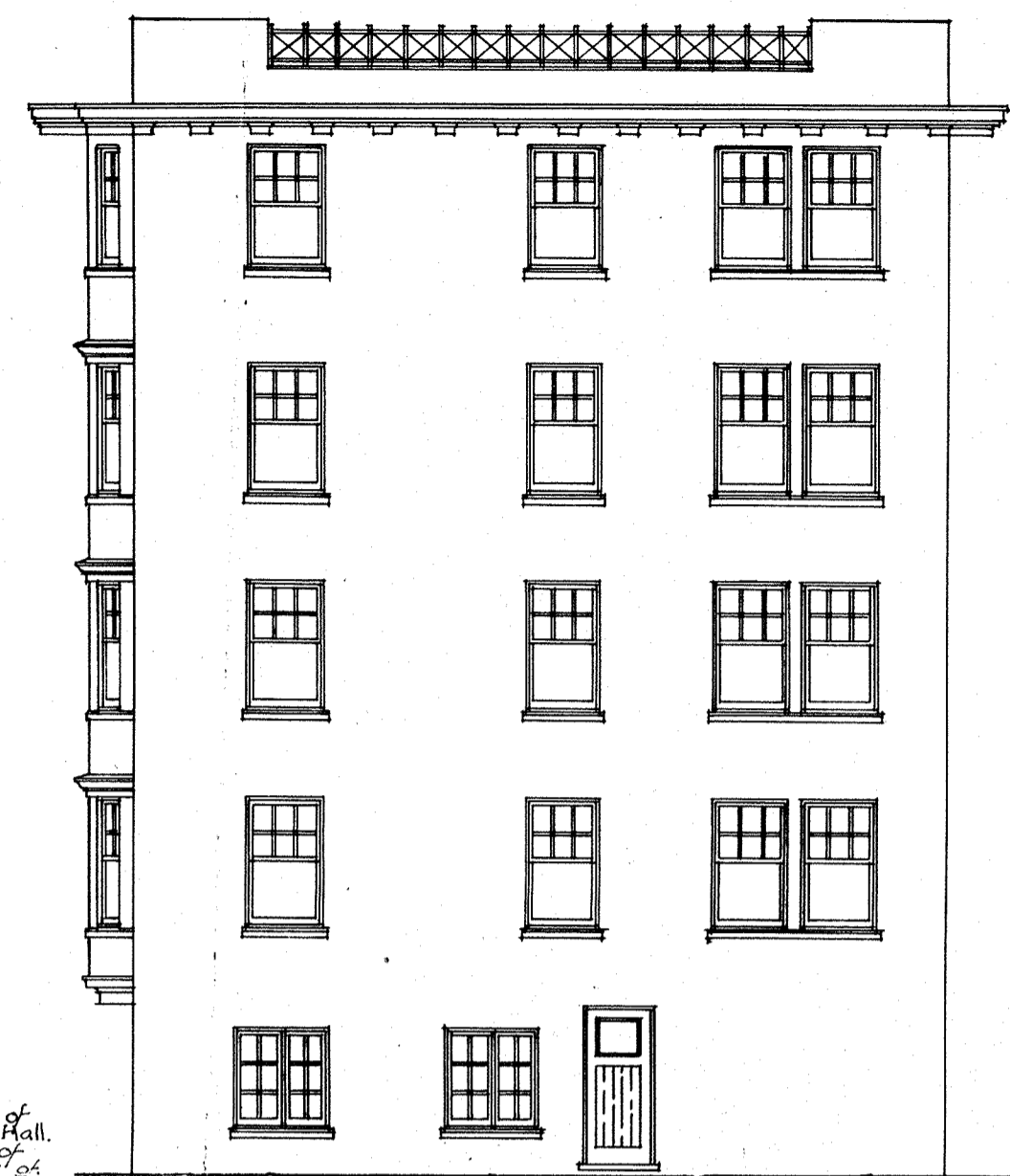


EAST ELEVATION

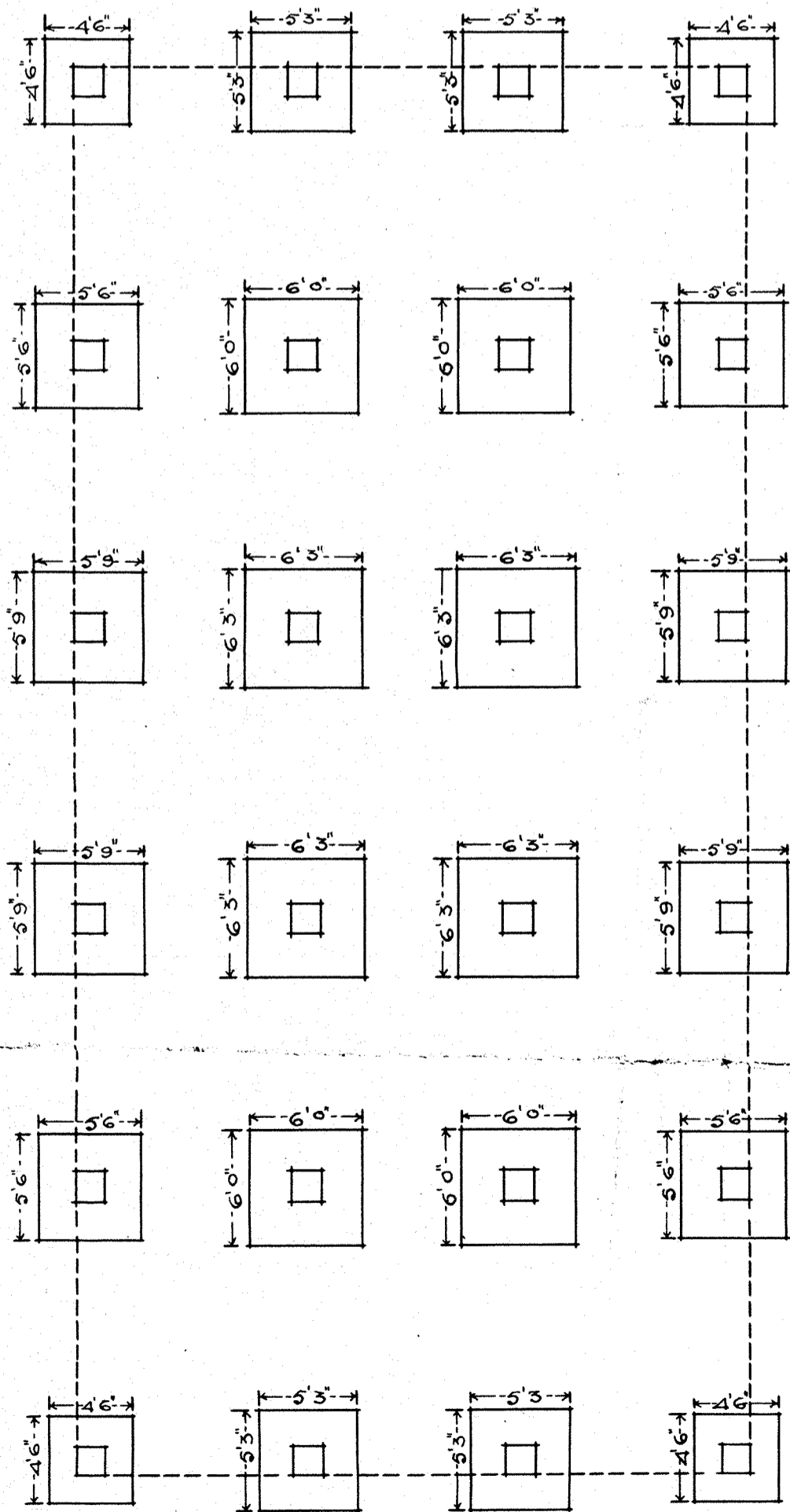
PROPOSED RESIDENTIAL FLATS
 WELLINGTON TERRACE
 WELLINGTON
 FOR MESSRS JONES & CAMERON
 SCALE: ONE INCH EQUALS EIGHT FEET.



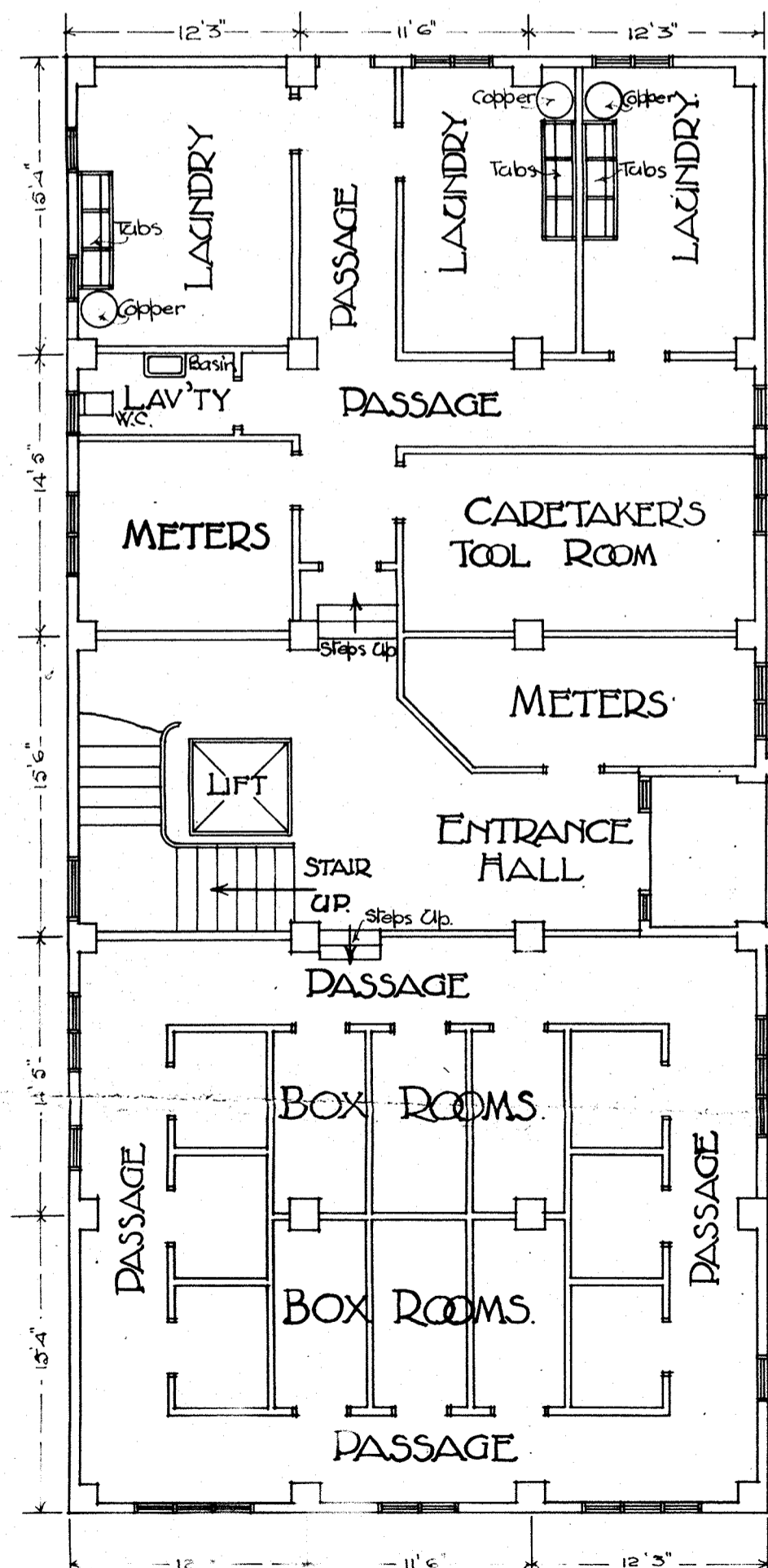
SECTION A.A.



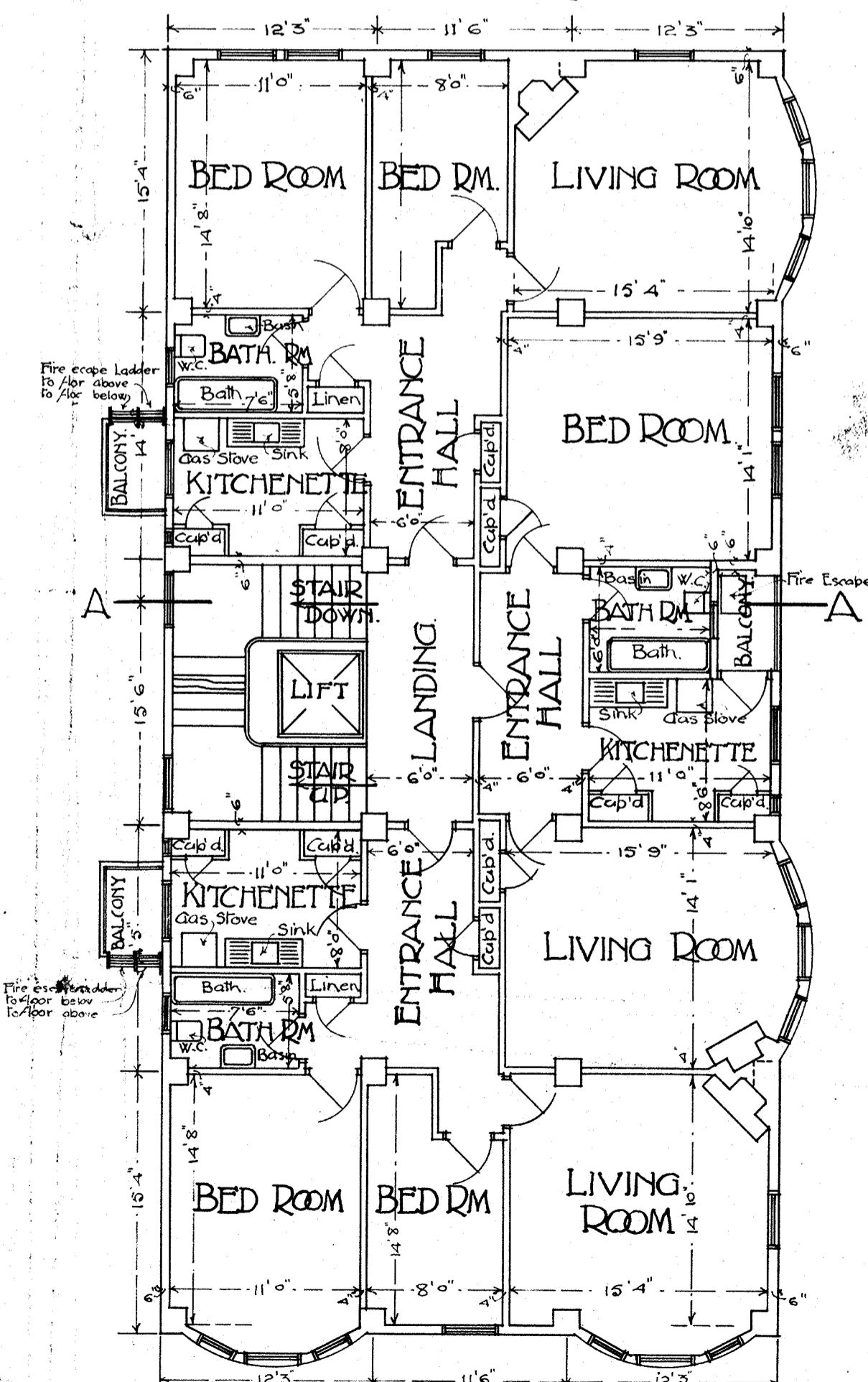
WEST ELEVATION



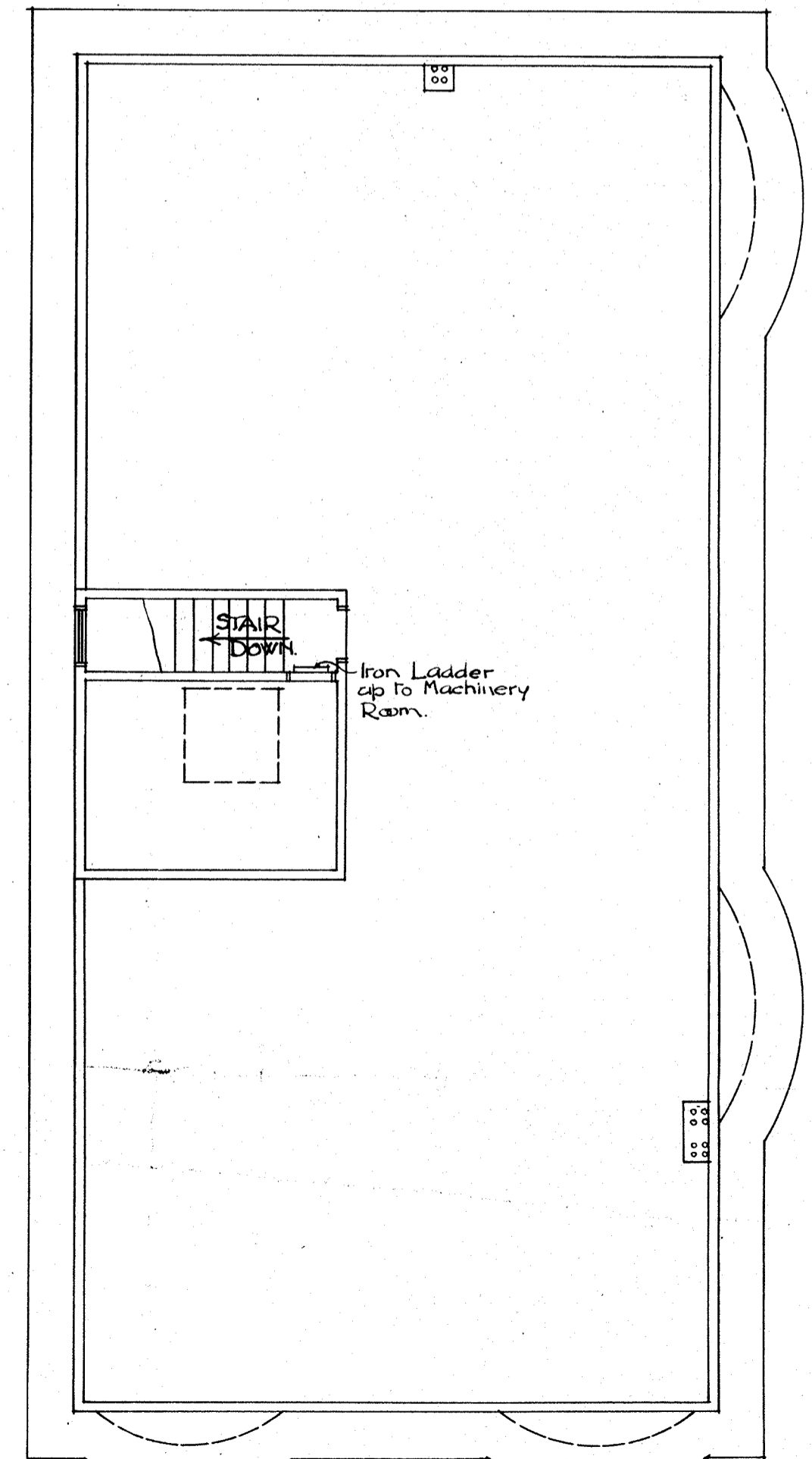
FOUNDATION PLAN.



BASEMENT PLAN.

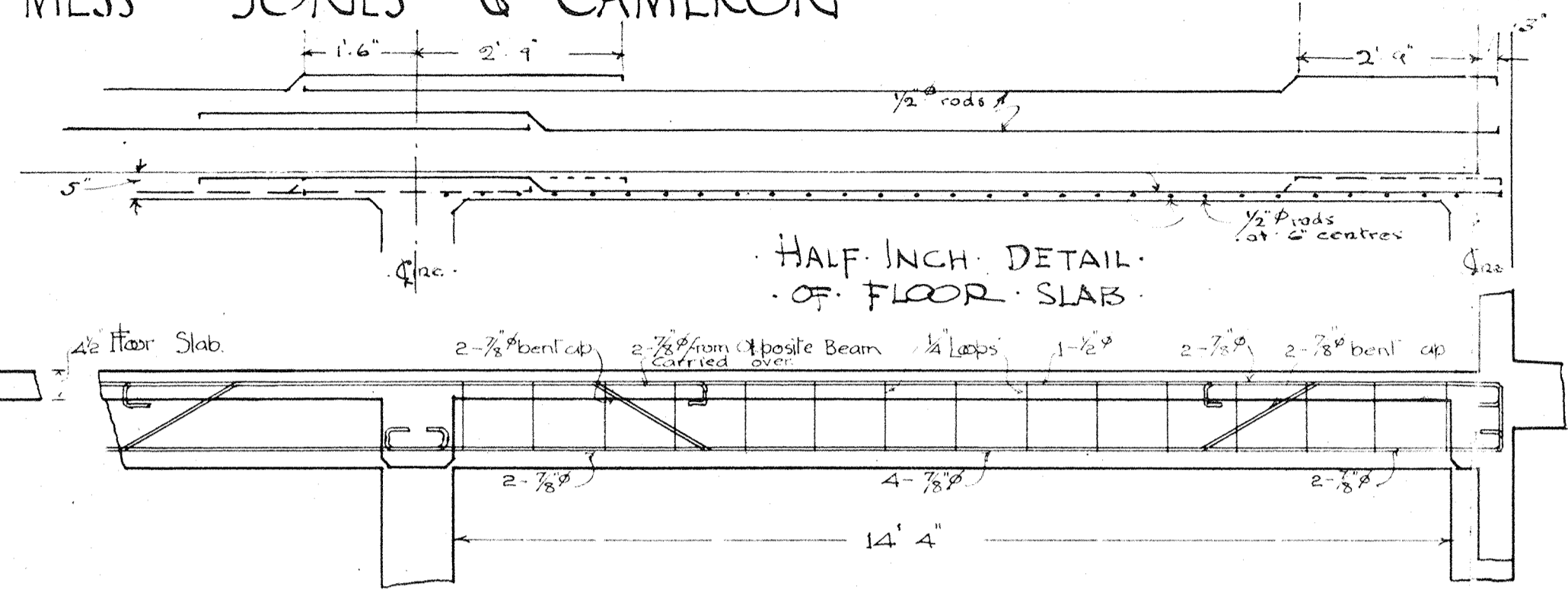


TYPICAL FLOOR PLAN.

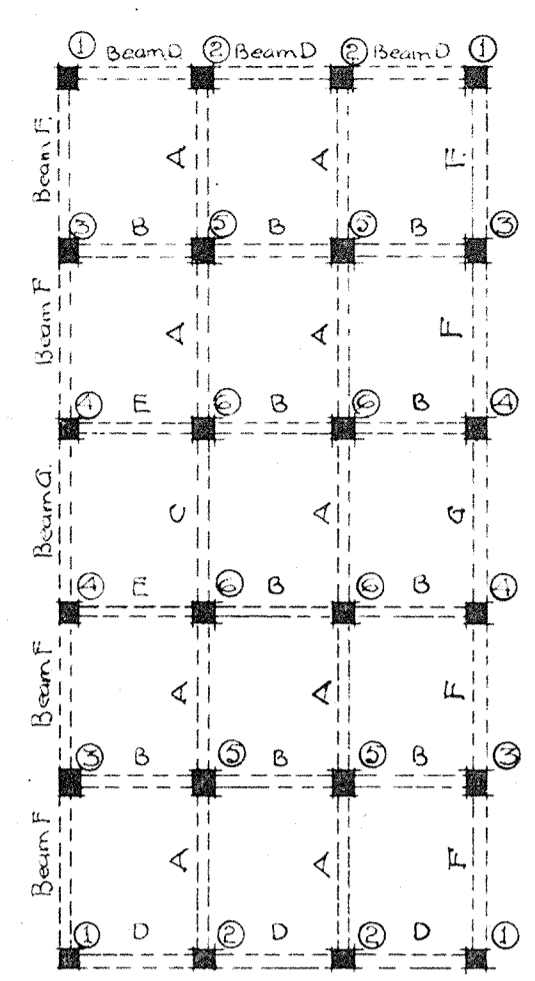


ROOF PLAN. Crichton & McKay F.F.R.I.B.A. and Haughton A.R.I.B.A. Architects Wellington 14.12.23.

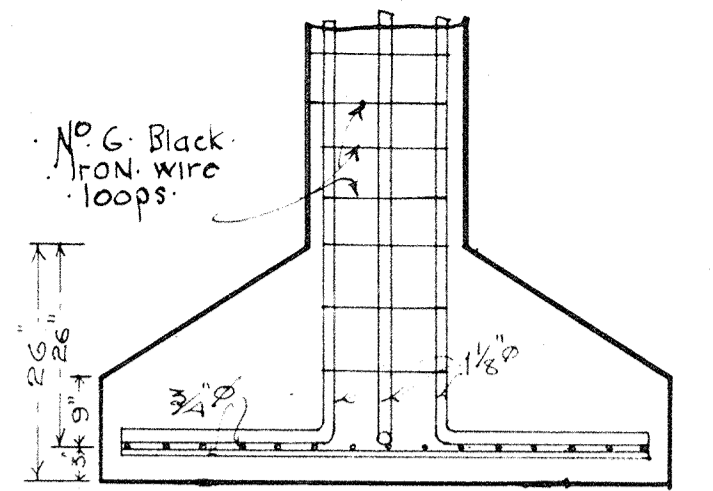
PROPOSED RESIDENTIAL FLATS
 WELLINGTON TERRACE FOR
 MESSRS. JONES & CAMERON



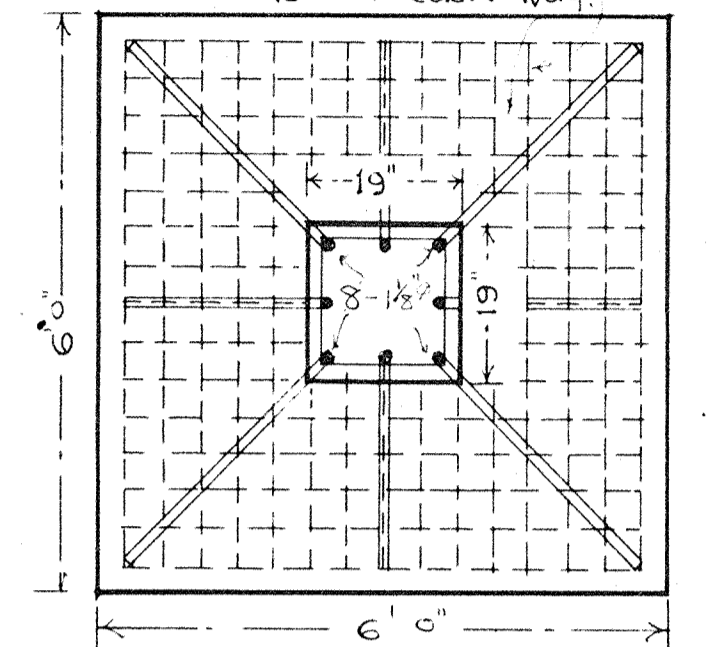
HALF-INCH DETAIL OF FLOOR SLAB



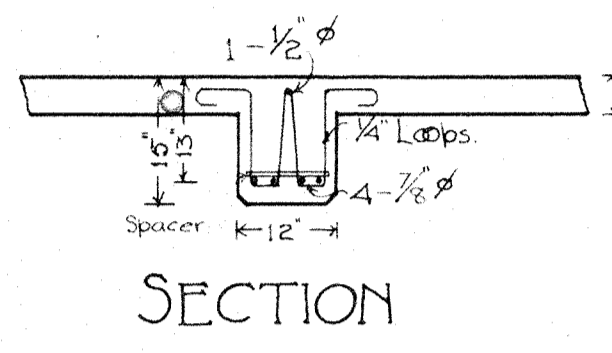
FRAMING PLAN
 1" = 16"



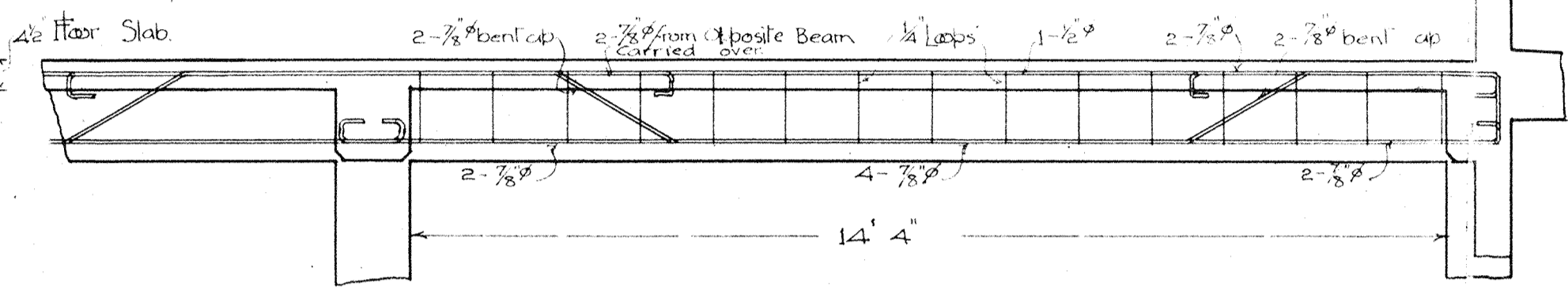
SECTION 15-24" each way



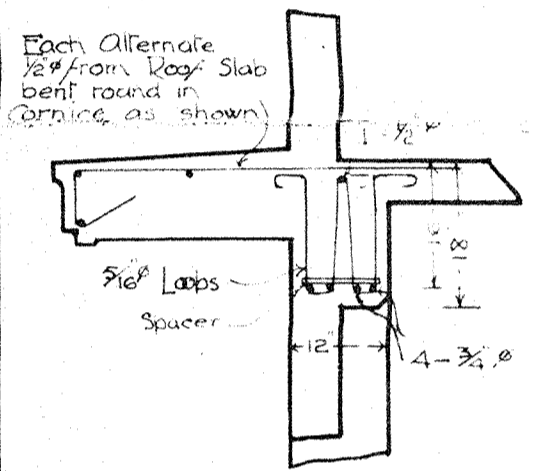
FOUNDATION COL. 5



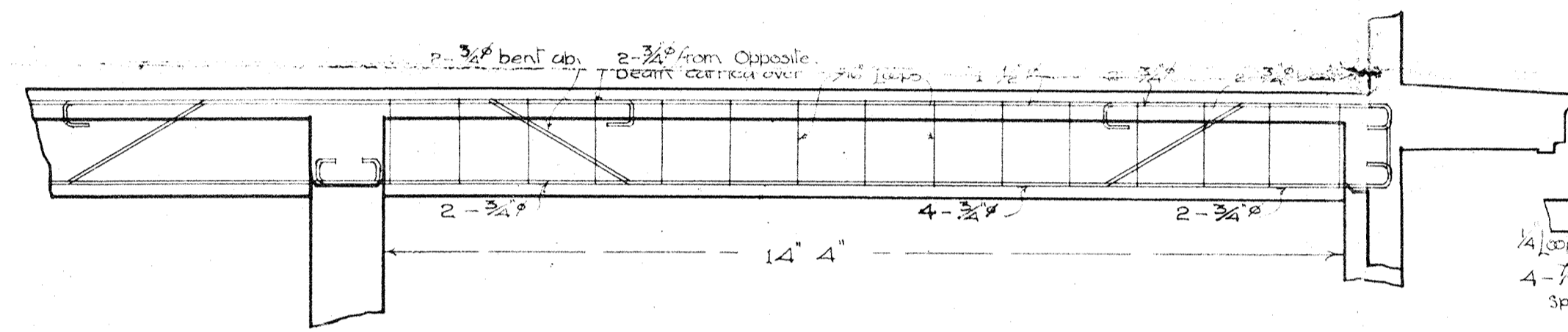
SECTION



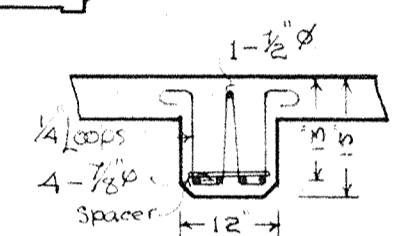
BEAM "A" SUPPORTING ROOF



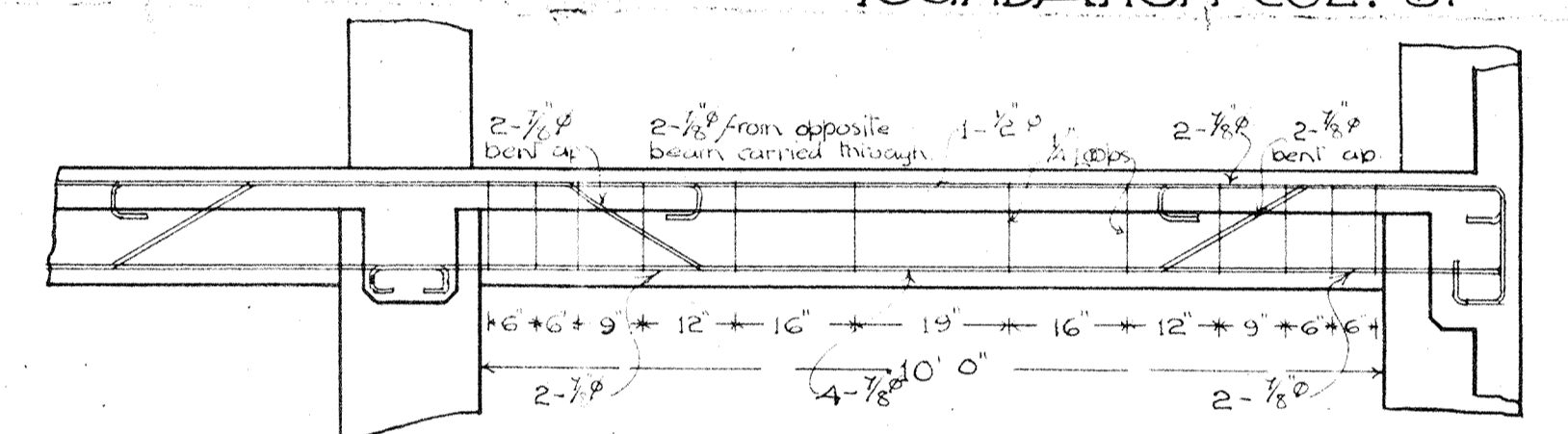
SECTION



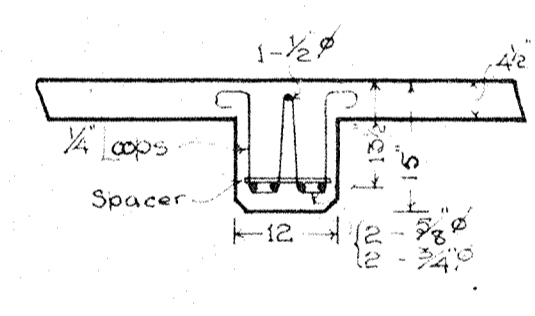
BEAM "F" SUPPORTING ROOF



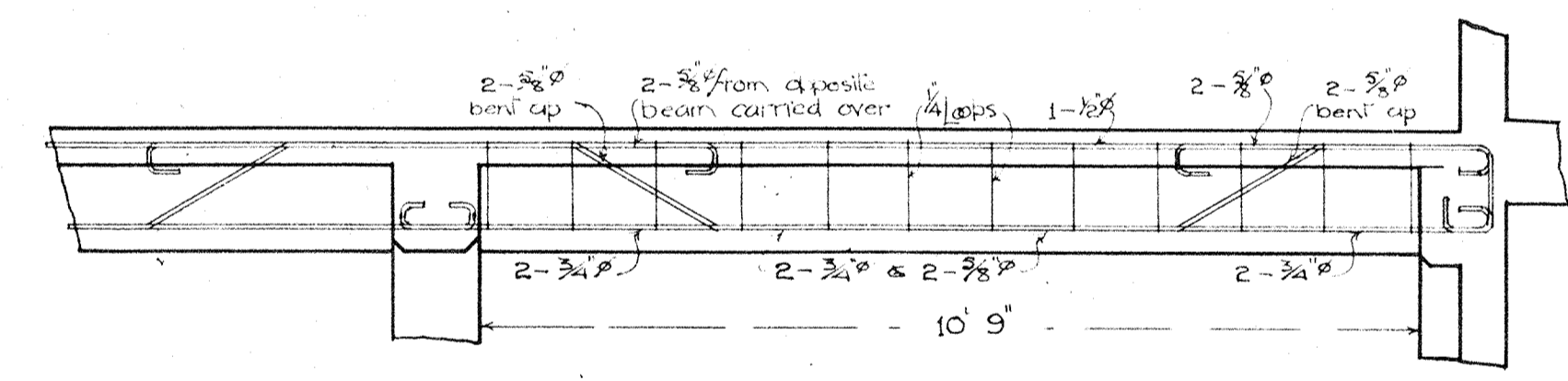
SECTION



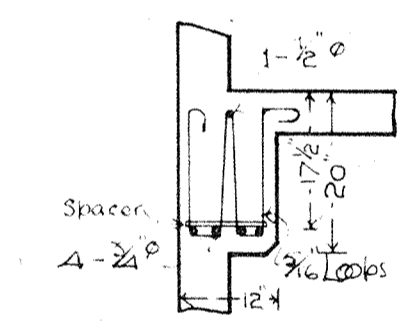
BEAM "B" SUPPORTING 1ST FLOOR



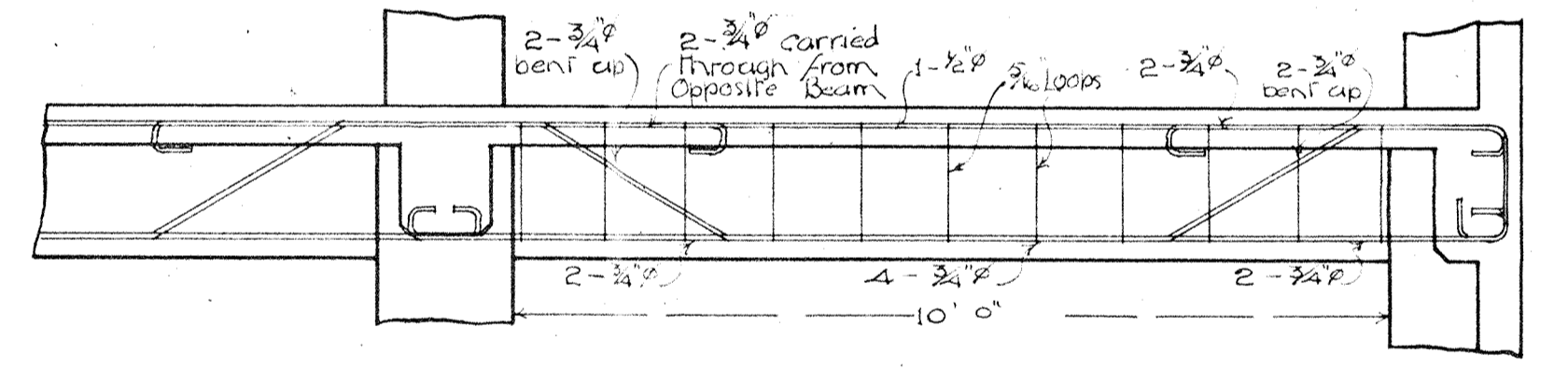
SECTION



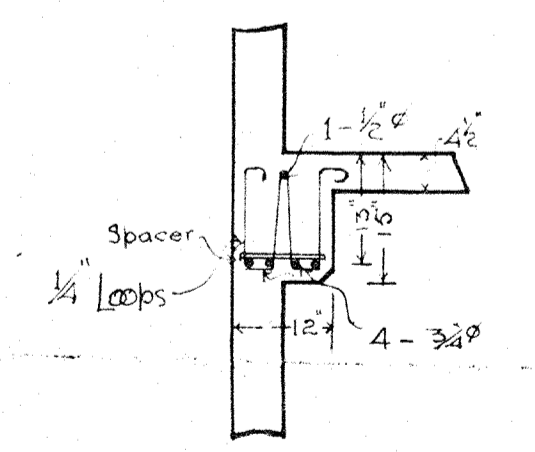
BEAM "B" SUPPORTING ROOF



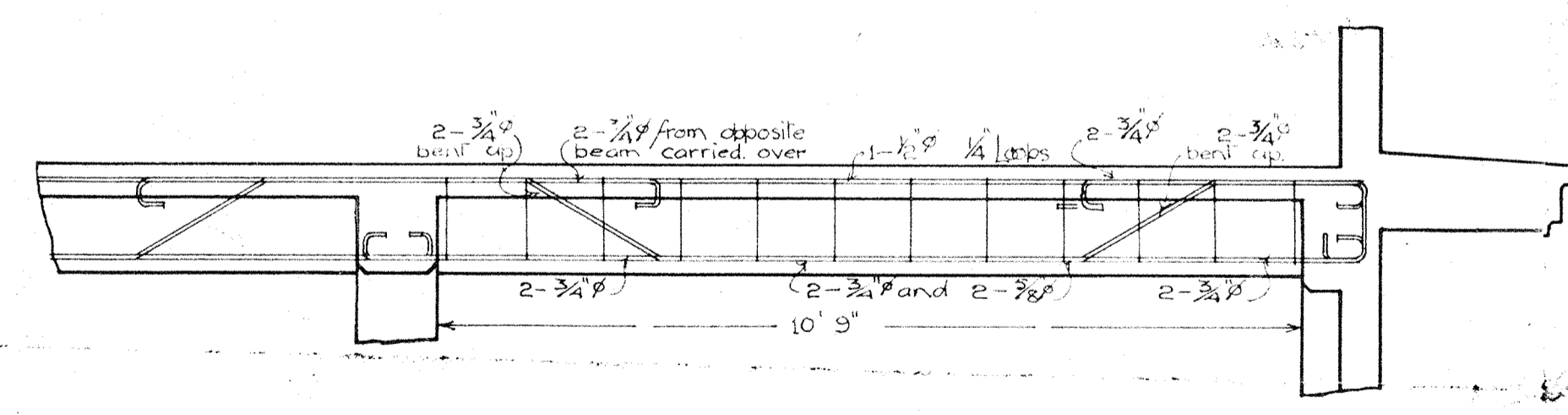
SECTION



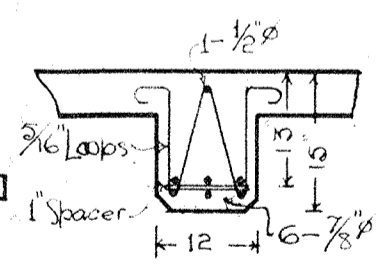
BEAM "D" SUPPORTING 1ST FLOOR



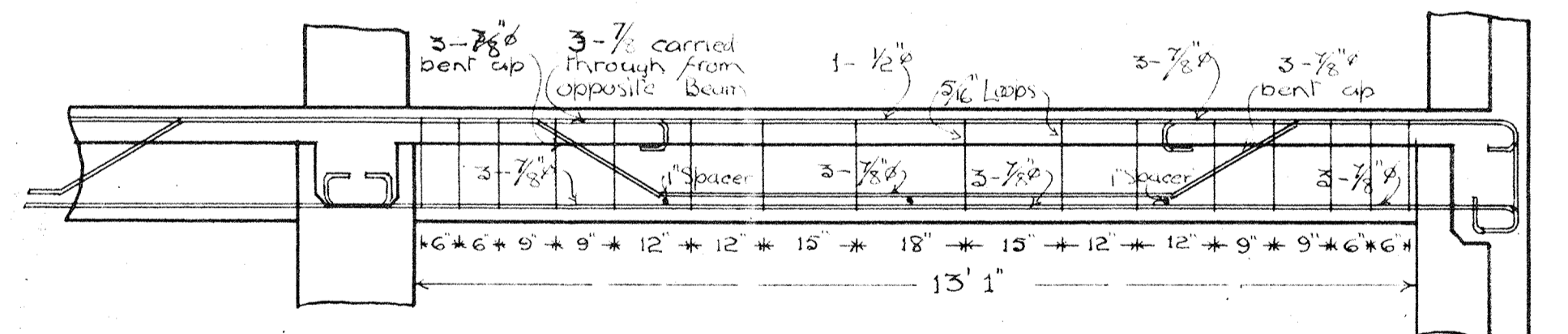
SECTION



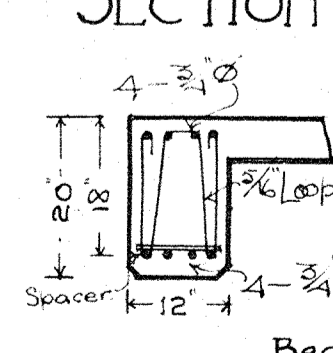
BEAM "B" SUPPORTING ROOF



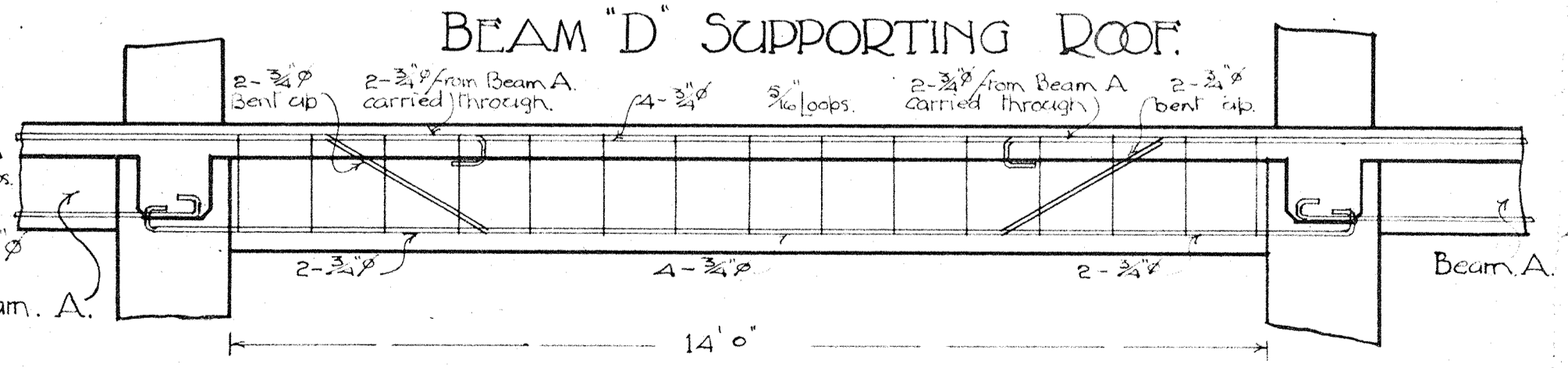
SECTION



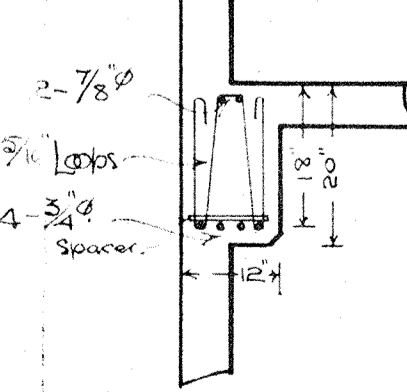
BEAM "A" SUPPORTING 1ST FLOOR



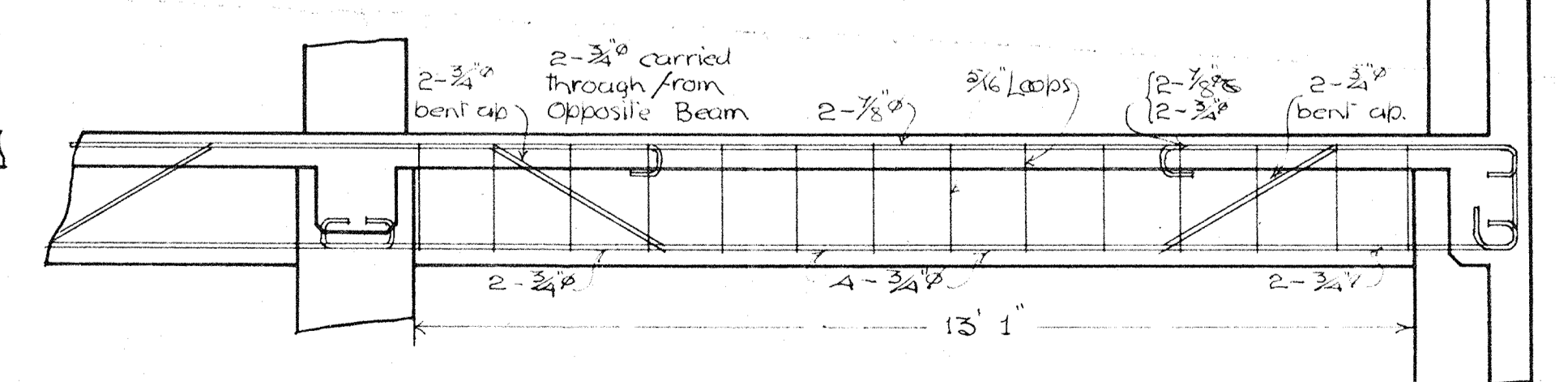
SECTION



BEAM "G" SUPPORTING FIRST FLOOR



SECTION



BEAM "F" SUPPORTING 1ST FLOOR

Crichton & McKay F.F.R.I.B.A.
 and Haughton A.R.I.B.A.
 Architects Wellington
 14.12.23.